

6

5

4

3

2

1

Spec.

kg

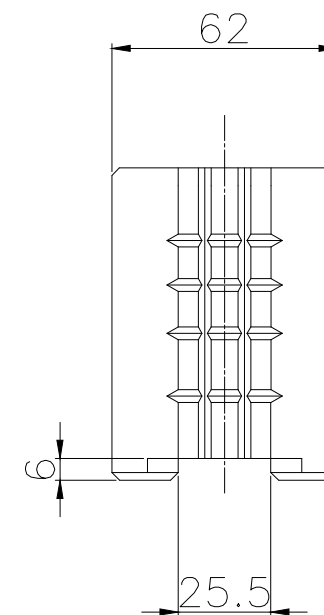
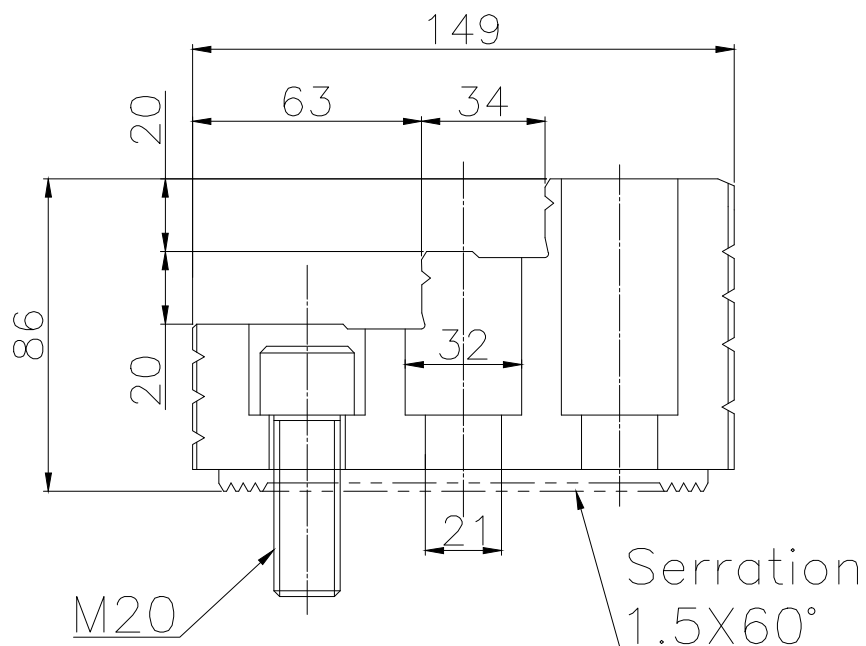
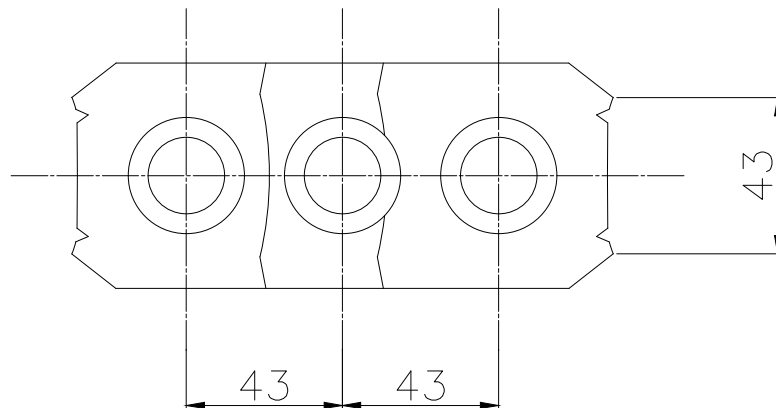
Model

Weight

HJ-15P

9.5

Confirmed



M20

Serration 1.5X60°

LEADER CHUCK INTERNATIONAL  
 +44 (0) 1827 700000  
 +353 (0)1 254 2555  
 INFORMATION@LEADERCHUCK.COM  
 LEADERCHUCK.COM

TITLE:

STANDARD HARDEN  
 JAW FOR 3MF CHUCK

DRAWING NO.:

A4 \ AG-HJ-15P



6

5

4

3

2

1

D

D

C

C

B

B

A

A