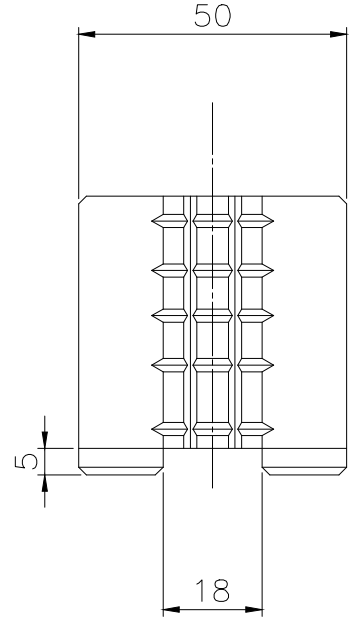
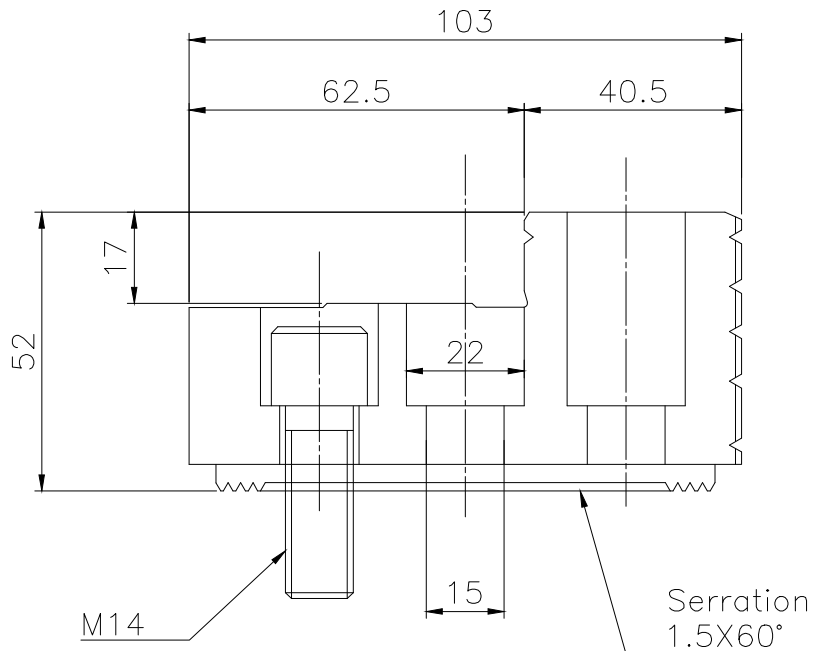
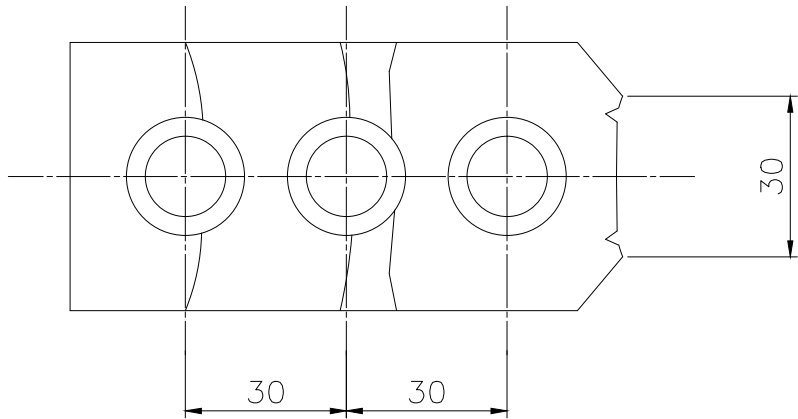


6 5 4 3 2 1

Spec.	kg
Model	Weight
HJ-12P	3.6

Confirmed



LEADER CHUCK INTERNATIONAL  
 +44 (0) 1827 700000  
 +353 (0)1 254 2555  
 INFORMATION@LEADERCHUCK.COM  
 LEADERCHUCK.COM

TITLE: STANDARD HARDEN JAW FOR 3MF CHUCK

DRAWING NO.: A4\AG-HJ-12P



6 5 4 3 2 1