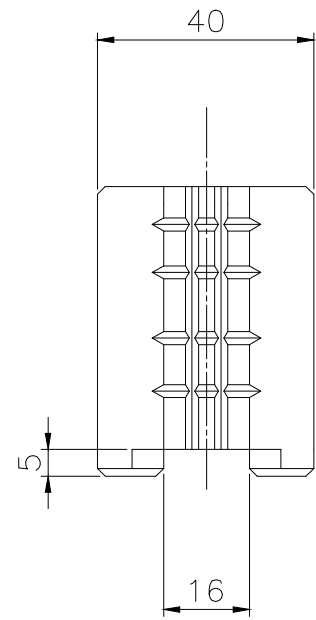
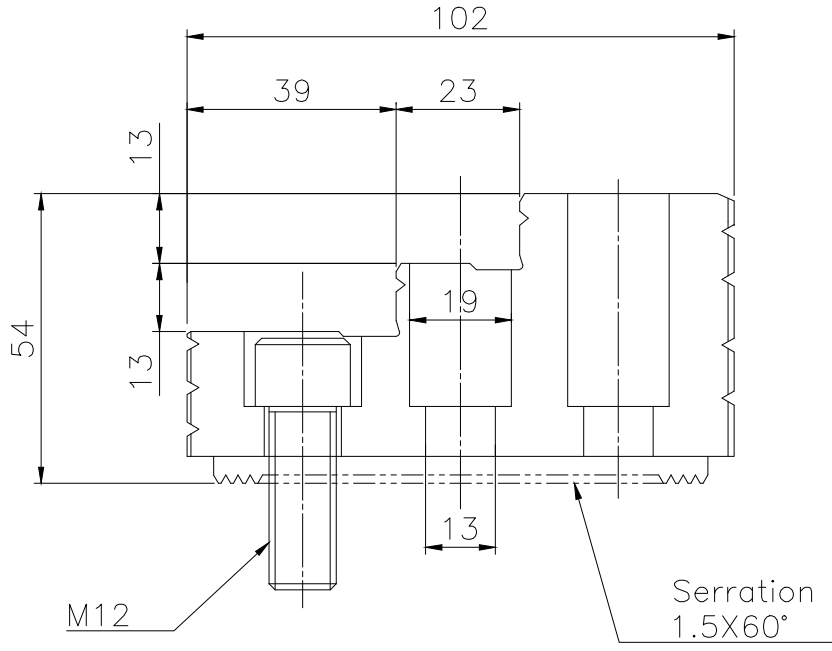
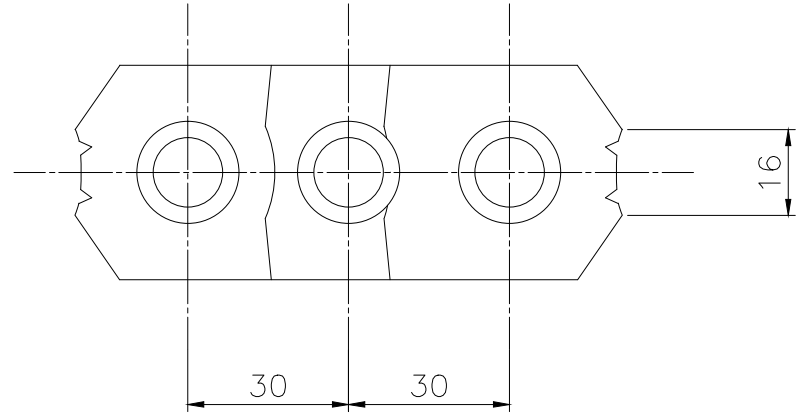


6 5 4 3 2 1

Spec.	kg
Model	Weight
HJ-10	3

Confirmed



LEADER CHUCK INTERNATIONAL
 +44 (0) 1827 700000
 +353 (0)1 254 2555
 INFORMATION@LEADERCHUCK.COM
 LEADERCHUCK.COM

TITLE: STANDARD HARDEN
 JAW FOR 3MF CHUCK

DRAWING NO.: A4\AG-HJ-10



6 5 4 3 2 1