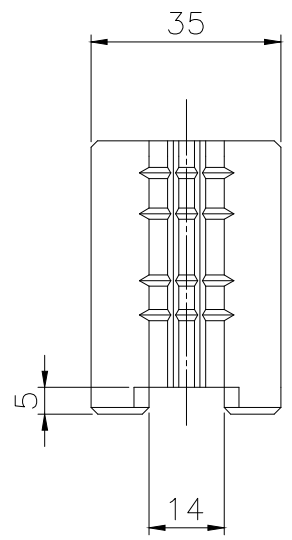
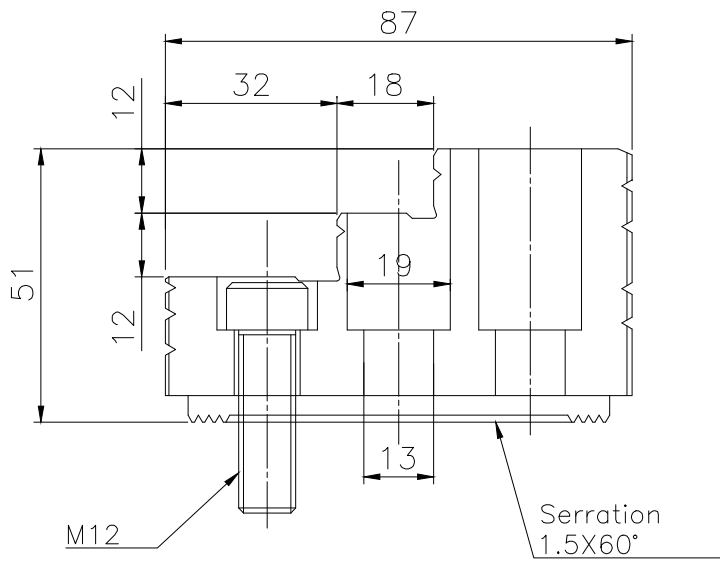
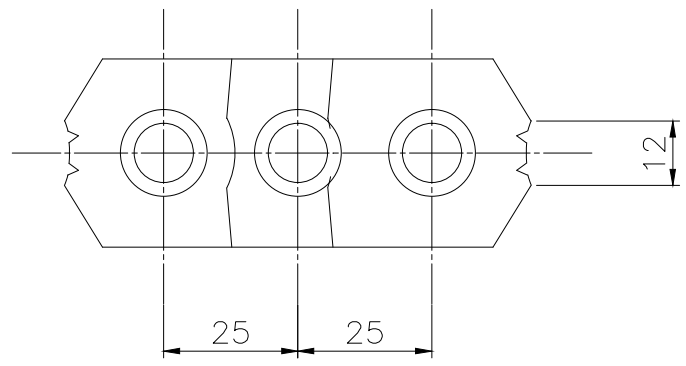


6	5	4	3	2	1
Spec.	kg	Confirmed			
Model	Weight				
HJ-08	2				



LEADER CHUCK INTERNATIONAL  
+44 (0) 1827 700000  
+353 (0)1 254 2555  
INFORMATION@LEADERCHUCK.COM  
LEADERCHUCK.COM

TITLE:  
STANDARD HARDEN  
JAW FOR 3MF CHUCK

DRAWING NO.:  
A4 \ AG-HJ-08



6	5	4	3	2	1
---	---	---	---	---	---