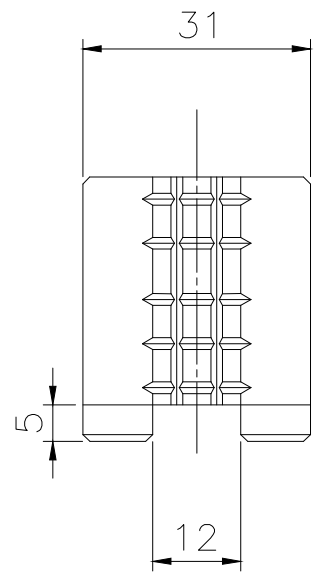
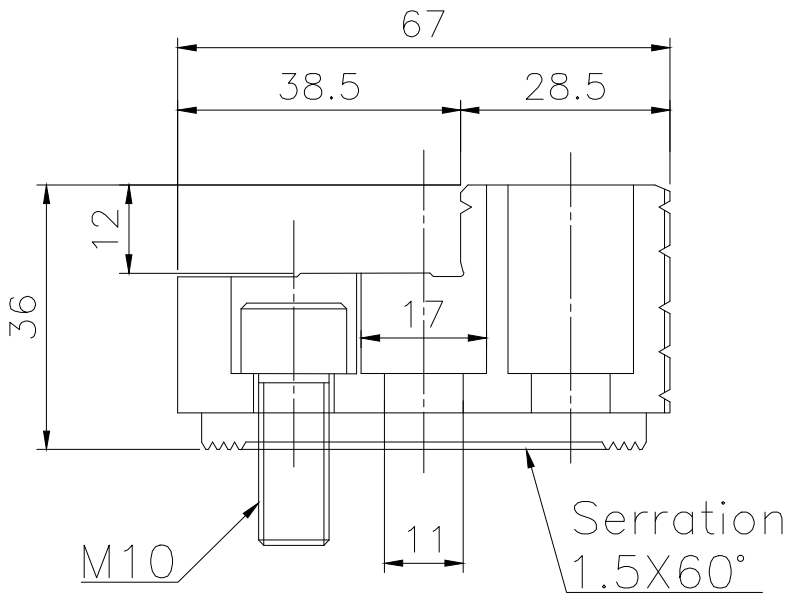
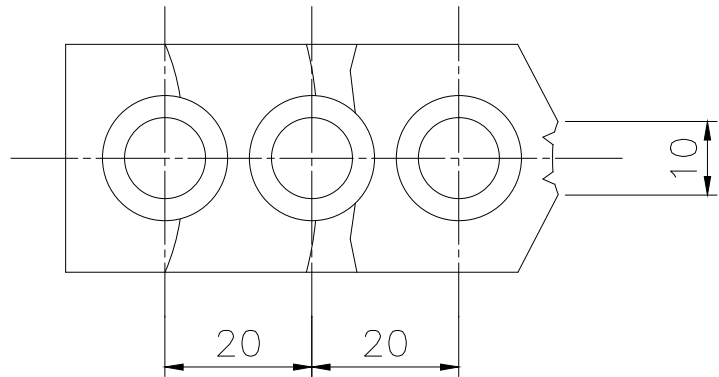


6	5	4	3	2	1
Spec.	kg	Confirmed			
Model	Weight				
HJ-06	1.7				



LEADER CHUCK INTERNATIONAL
+44 (0) 1827 700000
+353 (0)1 254 2555
INFORMATION@LEADERCHUCK.COM
LEADERCHUCK.COM

TITLE:
STANDARD HARDEN
JAW FOR 3MF CHUCK

DRAWING NO.:
A4 \ AG-HJ-06



6	5	4	3	2	1
---	---	---	---	---	---