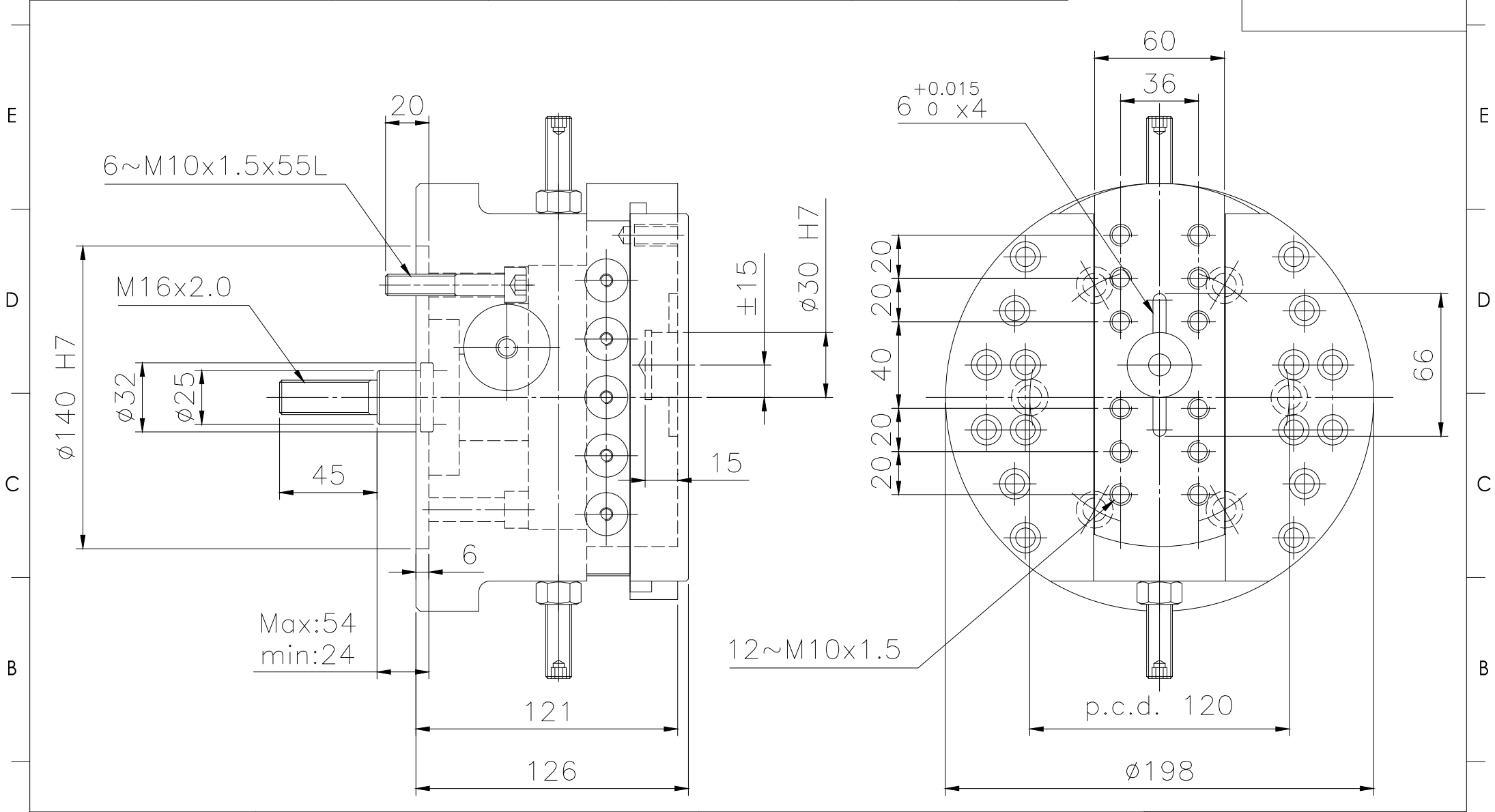


8	7	6	5	4	3	2	1
Spec.	mm	mm	kgf	r.p.m.	GD ²	kg	Confirmed
Model	Plunger Stroke	Slider Stroke	Max D.B. pull	Max speed	kg · m ²	Weight	
FA-830	30	30	580	800	—	24	



<p>LEADER CHUCK INTERNATIONAL +44 (0) 1827 700000 +353 (0)1 254 2555 INFORMATION@LEADERCHUCK.COM LEADERCHUCK.COM</p>	<p>TITLE: Single Slide Facing Head (Rack & Pinion Activation)</p>	<p>DRAWING NO.: A3 \ AG-FA-830</p>	
--	---	---	--