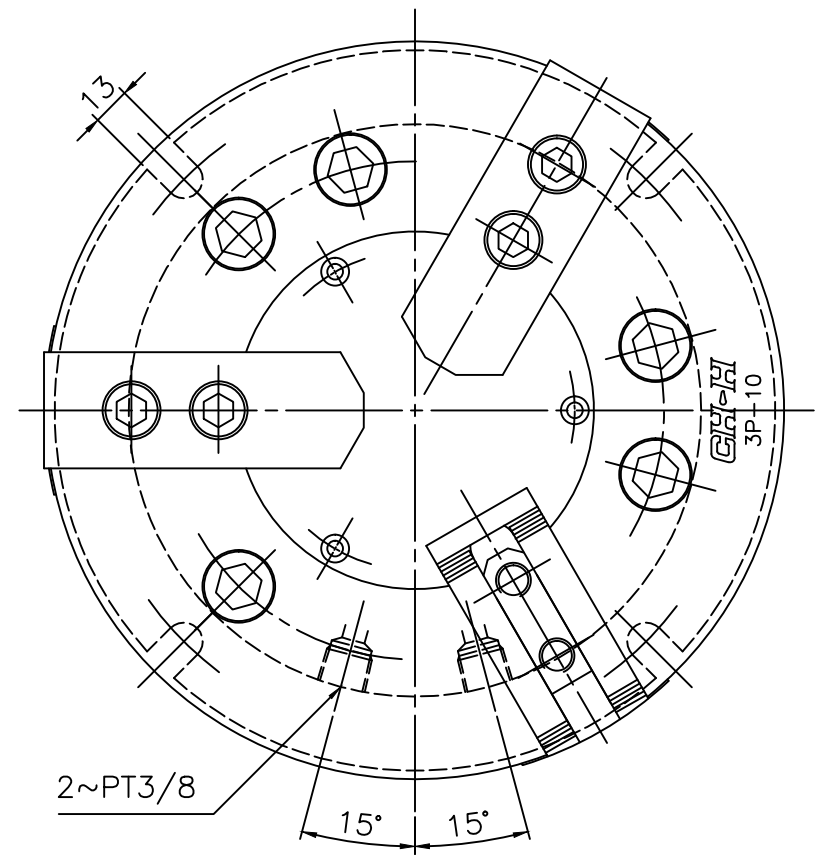
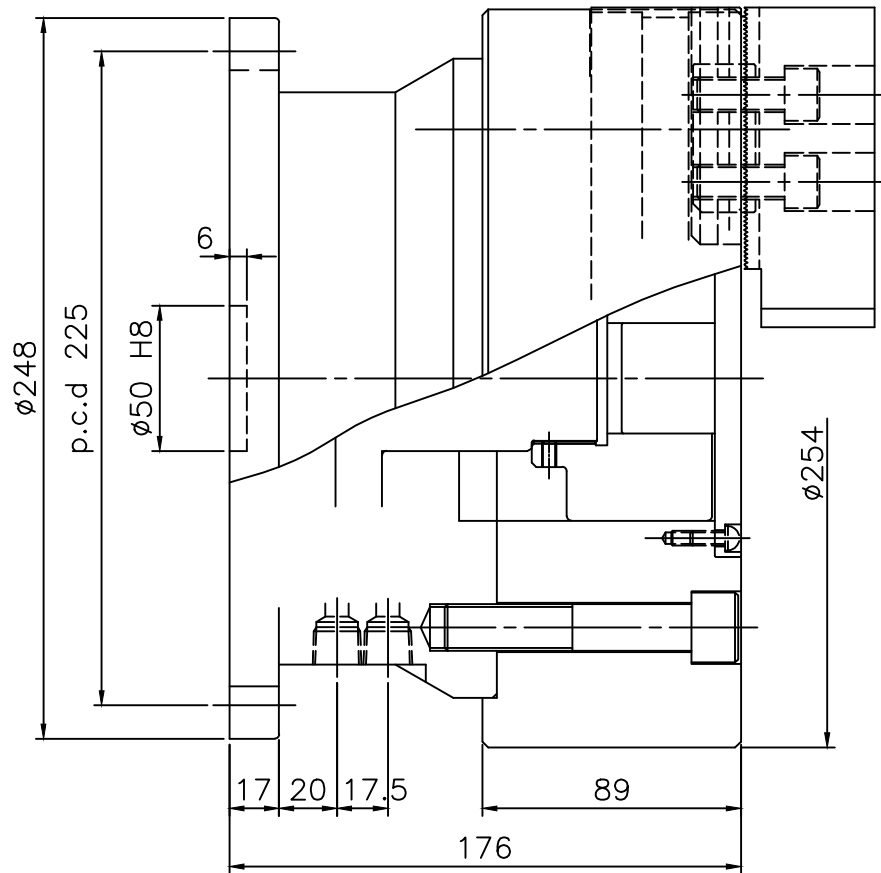


8	7		6	5		4	3	2	1
	Spec.	Eff. piston area cm <sup>2</sup>		Chucking Dia. mm					
Model	Extend	Retract	mm Jaw Stroke (Dia.)	Max.	min.	Max clamping force	Max. pressure	Weight	Confirmed
VP-310	153.1	133.5	8.8	254	22	11000	22	54.5	



LEADER CHUCK INTERNATIONAL  
+44 (0) 1827 700000  
+353 (0)1 254 2555  
INFORMATION@LEADERCHUCK.COM  
LEADERCHUCK.COM

TITLE:  
3 Jaw Closed Centre Self  
Contained Power Chuck

DRAWING NO.:  
A3 \ AG-VP-310

