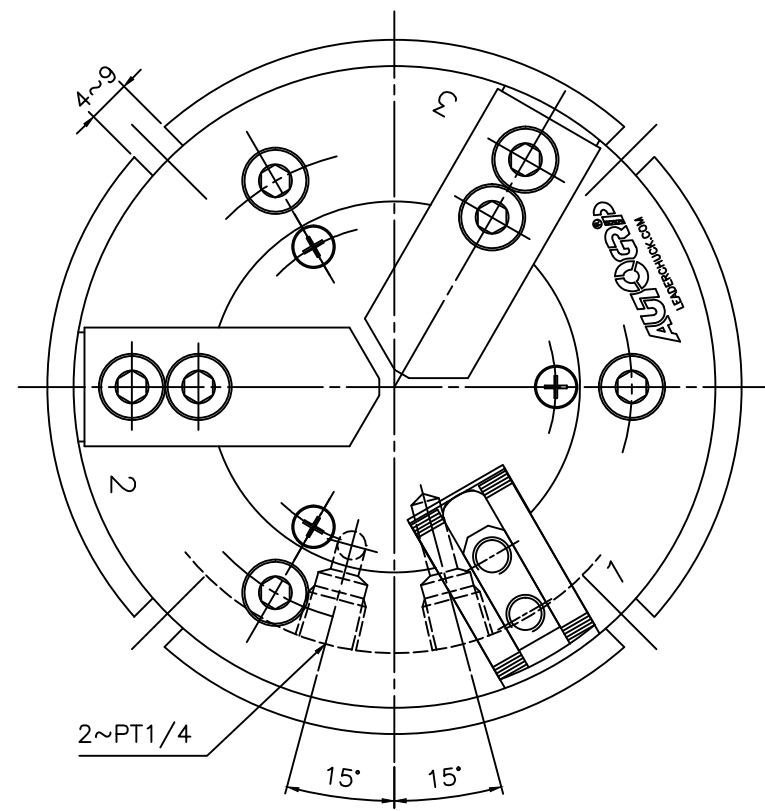
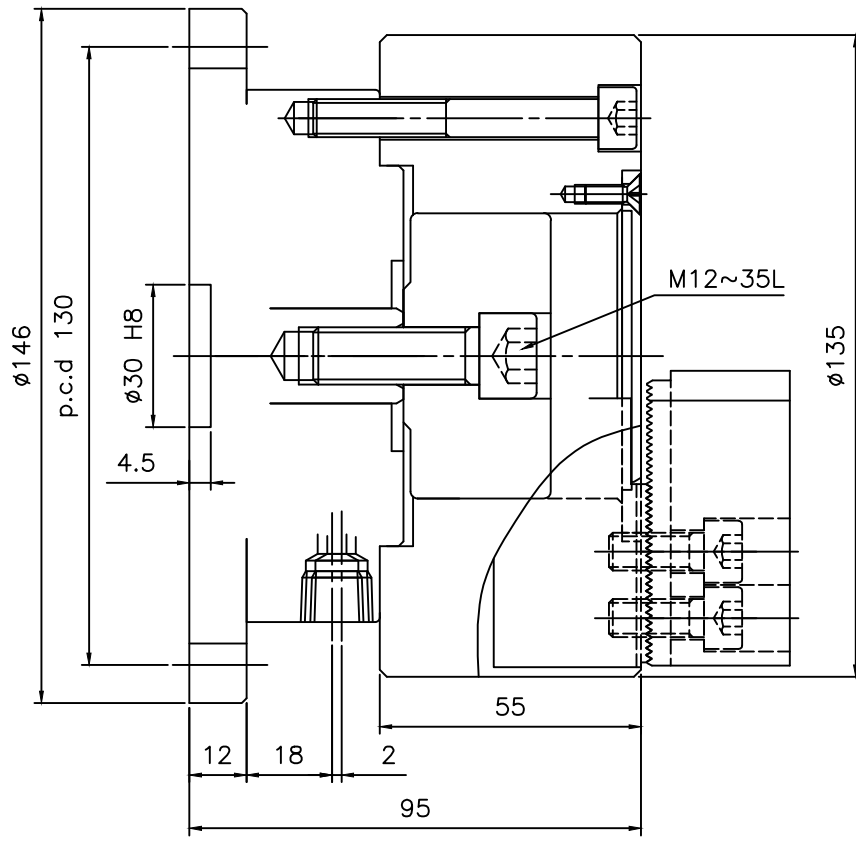


8	7		6	5		4		3	2		1
	Spec.			mm Jaw Stroke (Dia.)	Chucking Dia. mm		kgf Max clamping force	kg/cm ² Max. pressure	kg Weight	Confirmed	
Model	Extend	Retract	Max.		min.						
VP-305	28.0	24.9	6.4	135	14	2550	33	10.6			



LEADER CHUCK INTERNATIONAL
+44 (0) 1827 700000
+353 (0)1 254 2555
INFORMATION@LEADERCHUCK.COM
LEADERCHUCK.COM

TITLE: 3 Jaw Closed Centre Self
Contained Power Chuck

DRAWING NO.: A3\AG-VP-305

