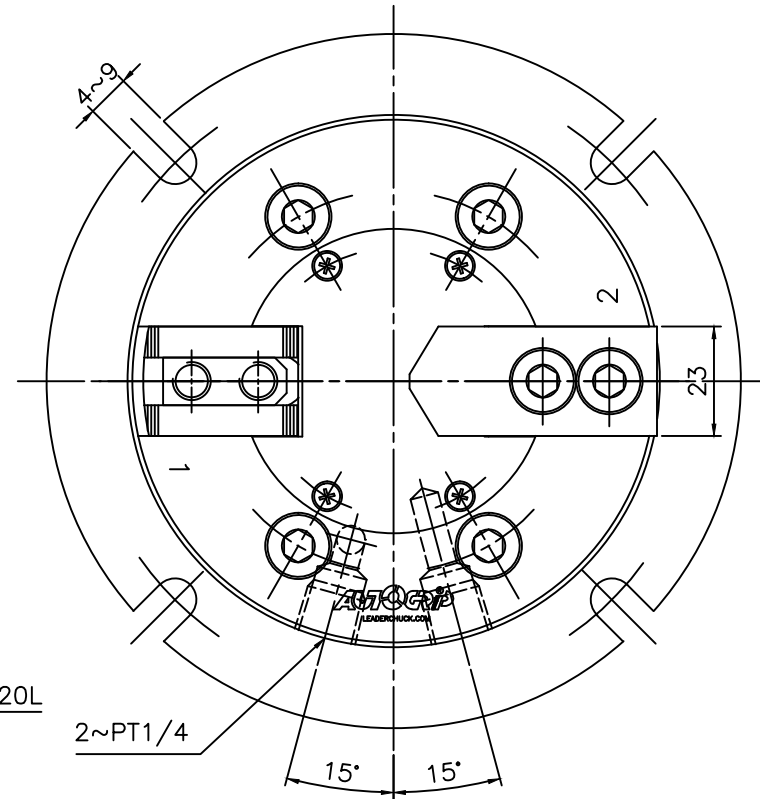
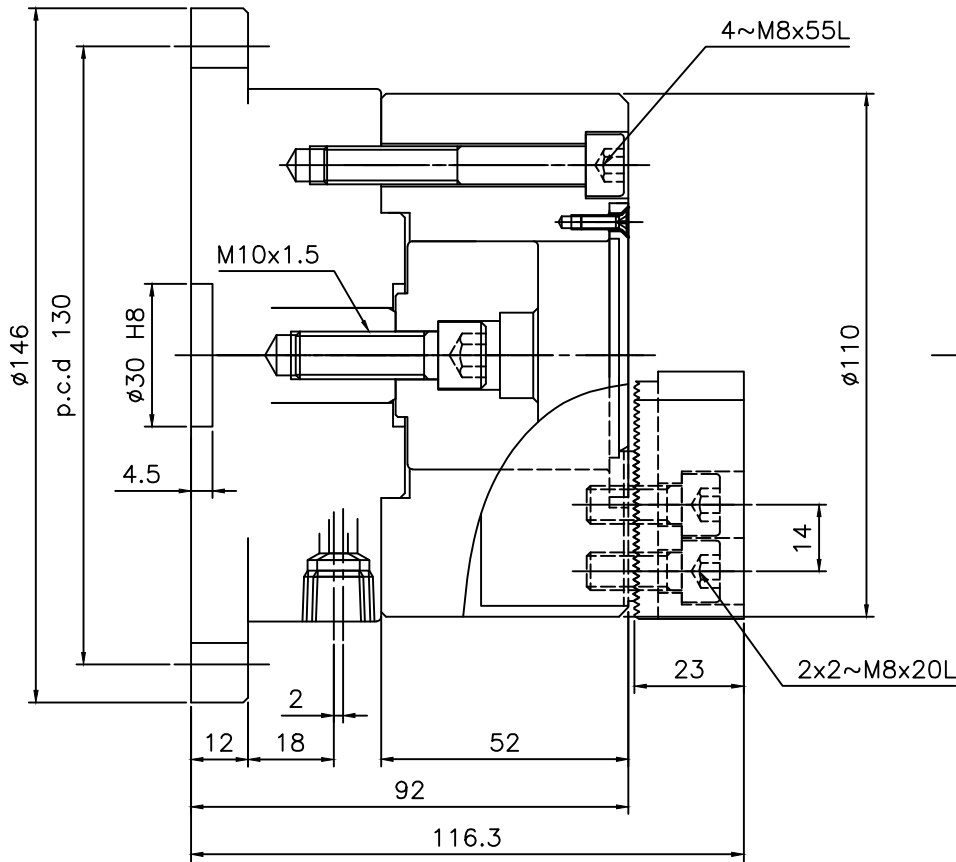


8	7		6	5		4	3	2	1
	Spec.	Eff. piston area cm ²		Chucking Dia. mm					
Model	Extend	Retract	mm Jaw Stroke (Dia.)	Max.	min.	Max clamping force	Max. pressure	Weight	Confirmed
VP-204	28.0	24.9	6.4	110	5	1500	21	7.1	



LEADER CHUCK INTERNATIONAL
+44 (0) 1827 700000
+353 (0)1 254 2555
INFORMATION@LEADERCHUCK.COM
LEADERCHUCK.COM

TITLE:
2 Jaw Closed Centre Self
Contained Power Chuck

DRAWING NO.:

A3\AG-VP-204

