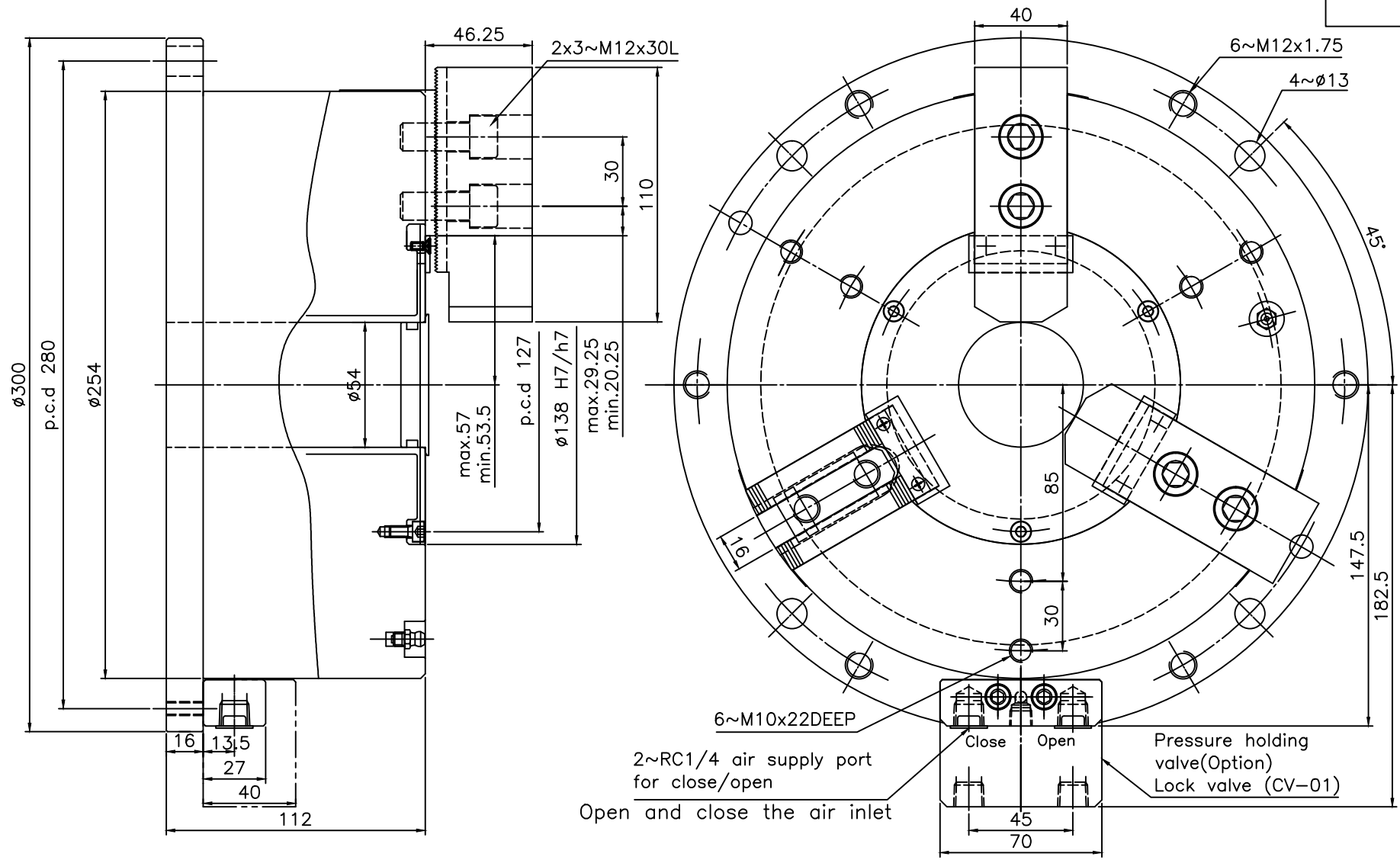


Spec.	mm	Chuck Dia. mm		Max gripping force kN		Max pressure kg/cm ²		kg/cm ²	(use pressure 6.0kgf/cm ²) lit	kg	Confirmed
		Max.	min.	Pneumatic at 6.0kgf/cm ²	Hydraulic at 13.0kgf/cm ²	Air pressure Pneumatic	Oil pressure Hydraulic				
Model	Jaw Stroke (Dia.)										
SP-310	7	254	52	48	107	6	13	2	4.2	42	



LEADER CHUCK INTERNATIONAL
+44 (0) 1827 700000
+353 (0)1 254 2555
INFORMATION@LEADERCHUCK.COM
LEADERCHUCK.COM

TITLE: 3 Jaw Partial Open Centre Self
Contained Hydraulic or Pneumatic
Power Chuck

DRAWING NO.:
A3 \ AG-SP-310

