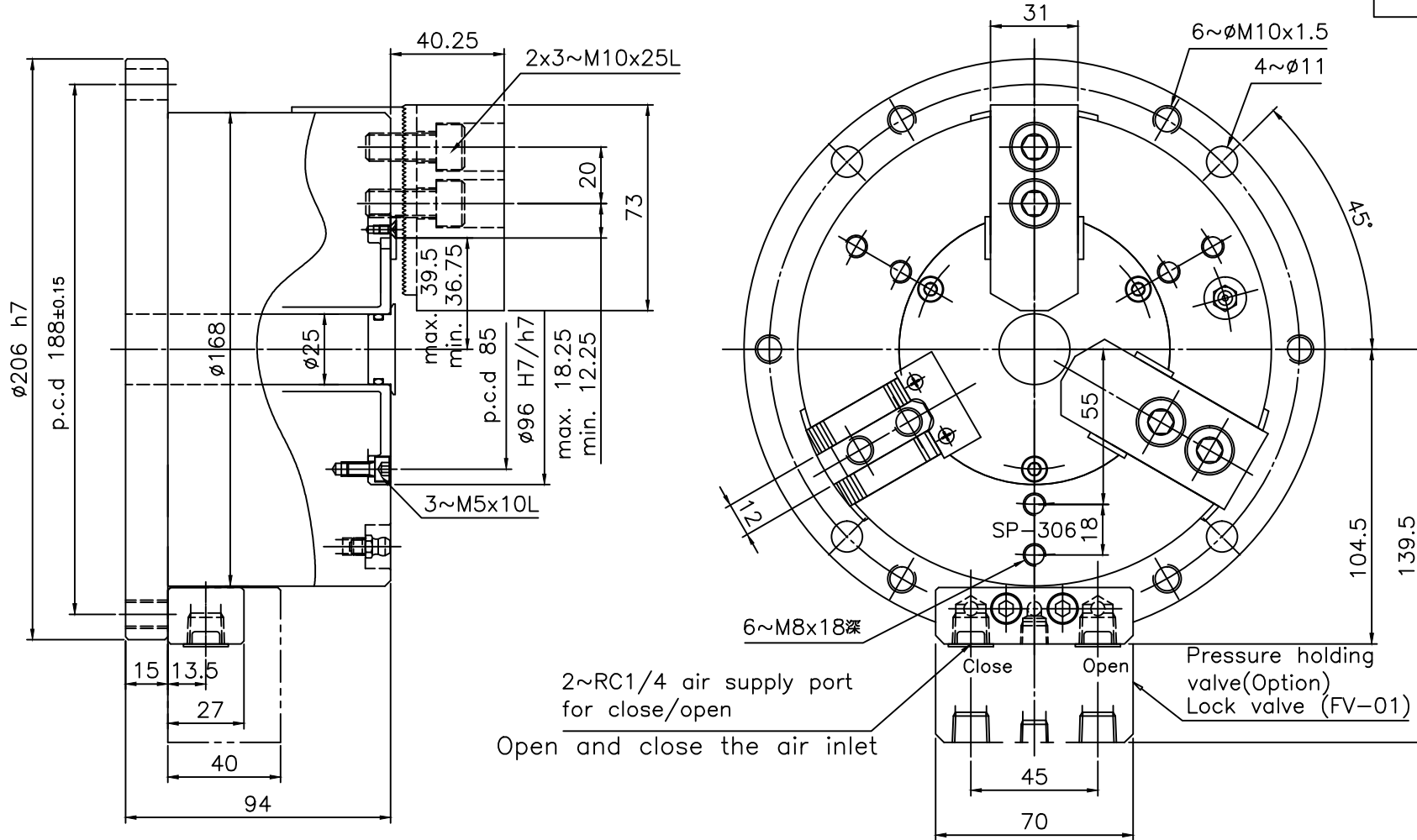


6		5		4		3		2		1	
<b>Spec.</b>	<b>mm</b>	<b>Chuck Dia. mm</b>		<b>Max gripping force kN</b>		<b>Max pressure kg/cm<sup>2</sup></b>		<b>kg/cm<sup>2</sup></b>	<b>(use pressure 6.0kgf/cm<sup>2</sup>)</b>	<b>kg</b>	<b>Confirmed</b>
<b>Model</b>	<b>Jaw Stroke (Dia.)</b>	<b>Max.</b>	<b>min.</b>	<b>Pneumatic at 6.0kgf/cm<sup>2</sup></b>	<b>Hydraulic at 13.0kgf/cm<sup>2</sup></b>	<b>Air pressure Pneumatic</b>	<b>Oil pressure Hydraulic</b>	<b>Min. pressure</b>	<b>Air consumption (at 6.0 kgf/cm<sup>2</sup>)</b>	<b>Weight</b>	
SP-306	5.5	168	30	21	52	6	13	2	1.4	16.5	



LEADER CHUCK INTERNATIONAL +44 (0) 1827 700000 +353 (0)1 254 2555 INFORMATION@LEADERCHUCK.COM LEADERCHUCK.COM	TITLE:	DRAWING NO.:	
	3 Jaw Partial Open Centre Self Contained Hydraulic or Pneumatic Power Chuck	A4\AG-SP-306	