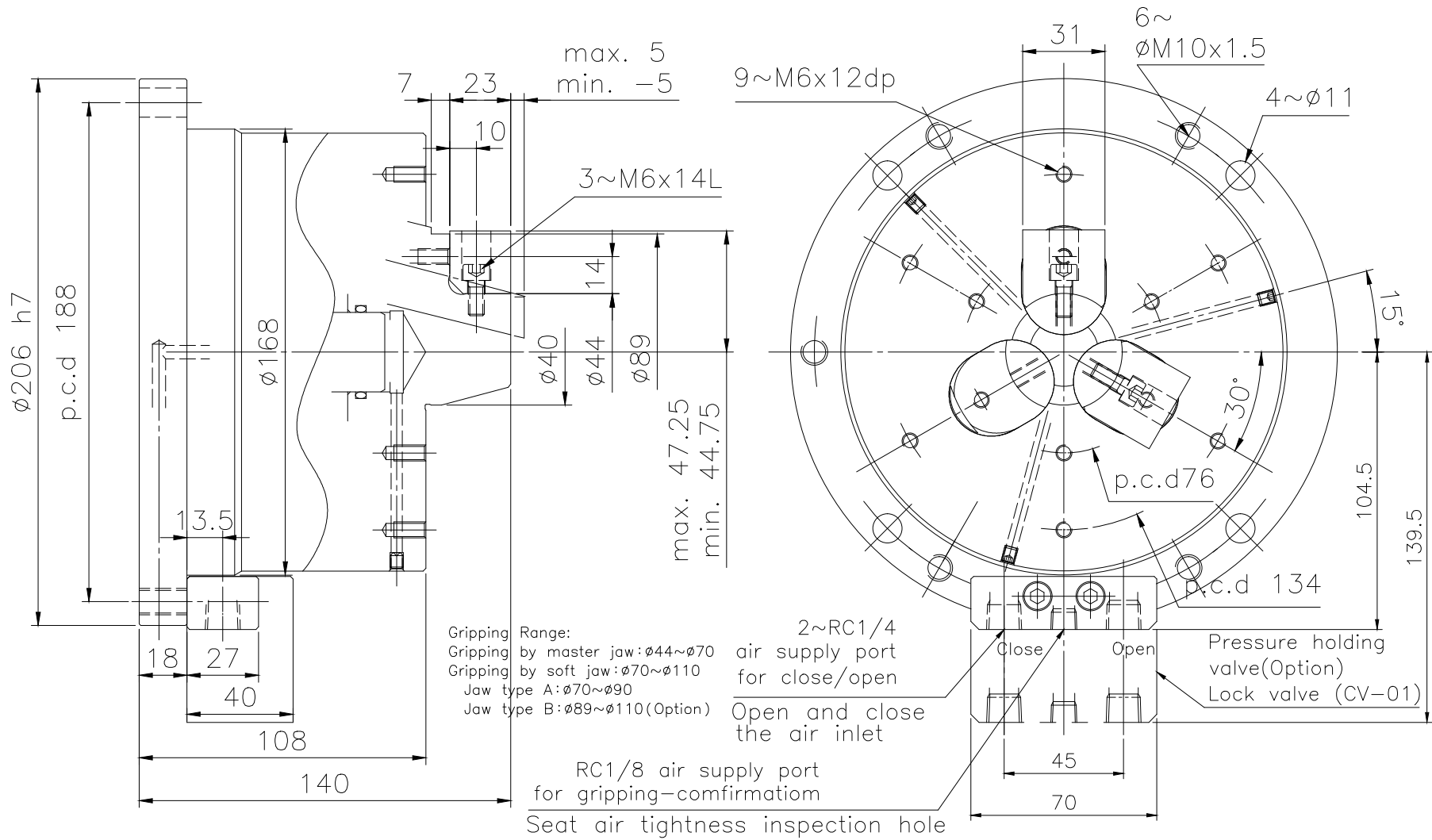


6		5		4		3		2		1	
Spec.	mm	Chucking Dia. mm		Max gripping force kN		Max pressure kg/cm ²		kg/cm ²	(use pressure 6.0kgf/cm ²) lit	kg	Confirmed
Model	Jaw Stroke (Dia.)	Max.	min.	Pneumatic at 6.0kgf/cm ²	Hydraulic at 13.0kgf/cm ²	Air pressure Pneumatic	Oil pressure Hydraulic	Min. pressure	Air consumption (at 6.0 kgf/cm ²)	Weight	
SE-306	5	110	44	20	57	7	13	2	0.54	20	



LEADER CHUCK INTERNATIONAL
 +44 (0) 1827 700000
 +353 (0)1 254 2555
 INFORMATION@LEADERCHUCK.COM
 LEADERCHUCK.COM

TITLE:
 Internal Clamping Expanding Pull Back 3 Jaw
 Self Contained Hydraulic or Pneumatic Power
 Chuck with Simultaneous Radial & Axial Clamping

DRAWING NO.:
 A4\AG-SE-306



6	5	4	3	2	1
---	---	---	---	---	---