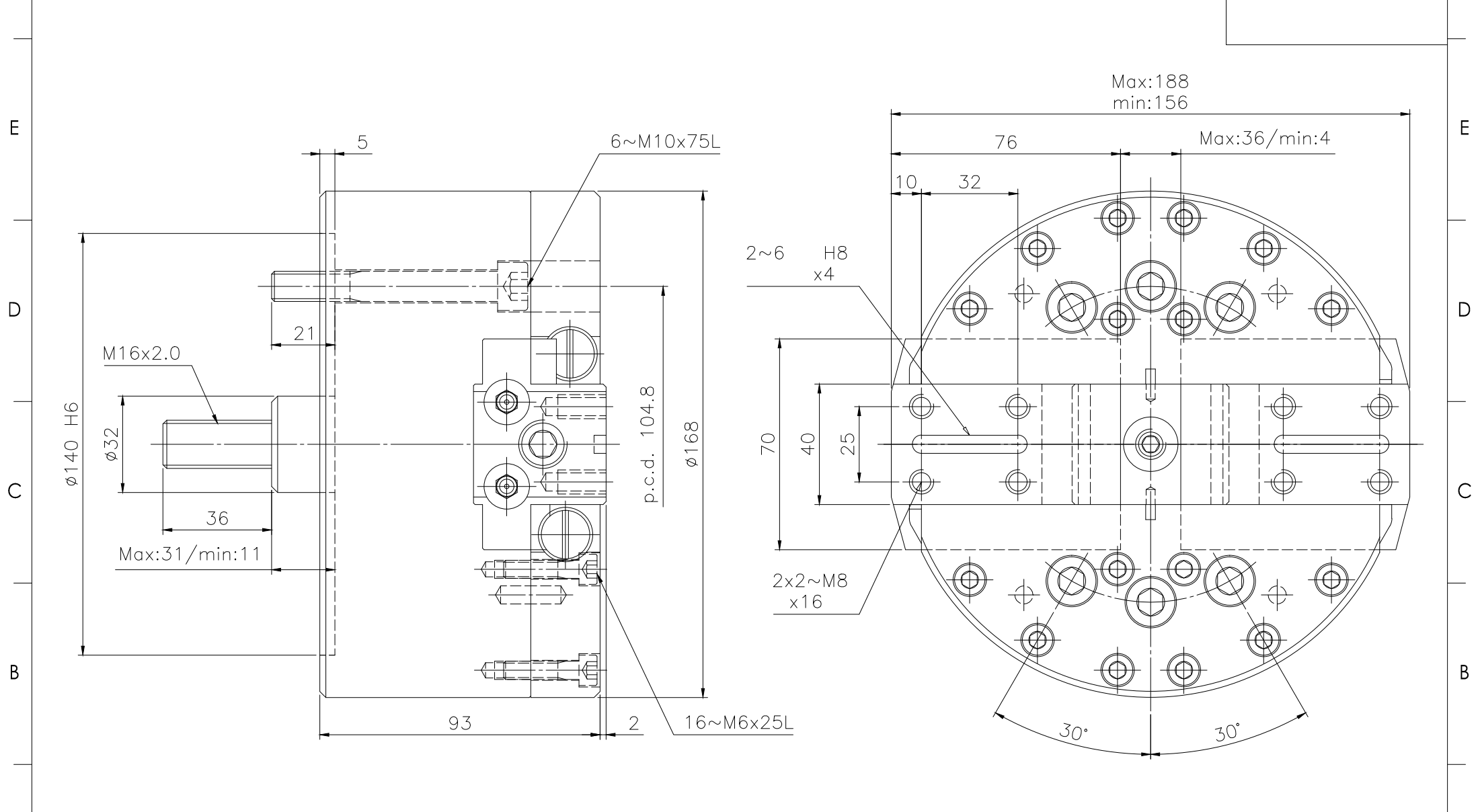


8	7		6	5	4		3	2	1
Spec.	mm	mm	kgf	r.p.m.	GD ²	kg	Confirmed		
Model	Plunger Stroke	Jaw Stroke (Dia.)	Max D.B. pull	Max speed	kg · m ²	Weight			
FD-632	20	32	1850	3200	-	13.6			



A	LEADER CHUCK INTERNATIONAL +44 (0) 1827 700000 +353 (0)1 254 2555 INFORMATION@LEADERCHUCK.COM LEADERCHUCK.COM	TITLE: Double Slide Facing Head (Lever Activation)	DRAWING NO.: A3 \ AG-FD-632		A		
	8	7	6			5	4