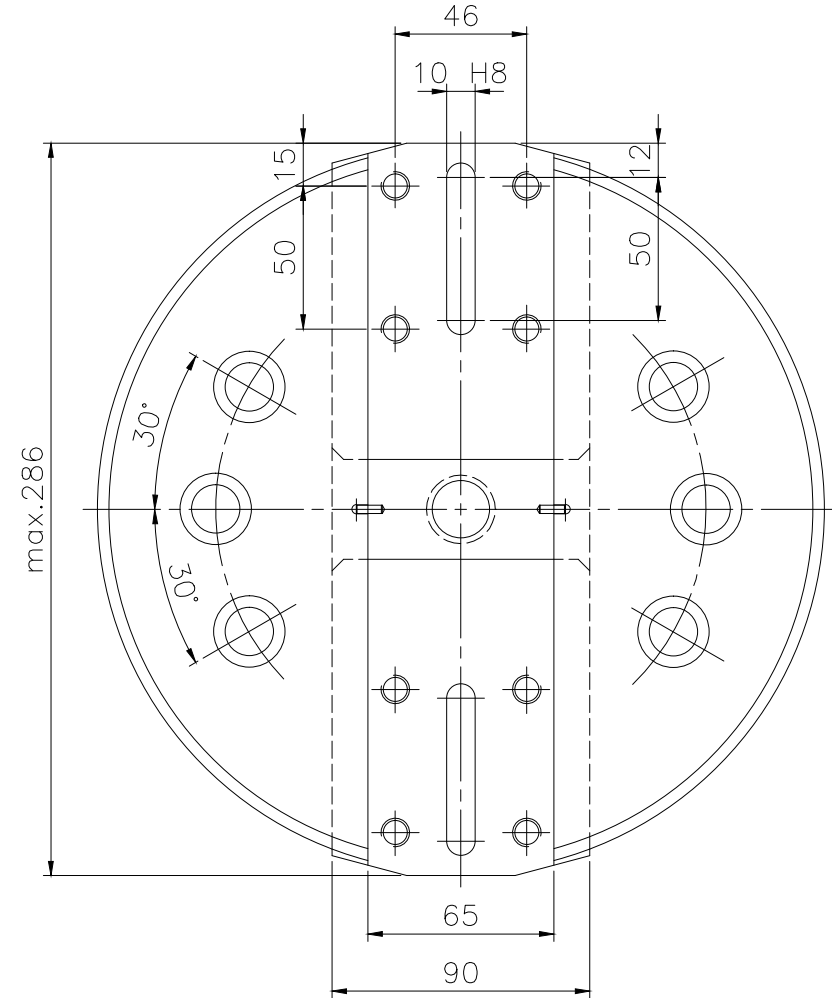
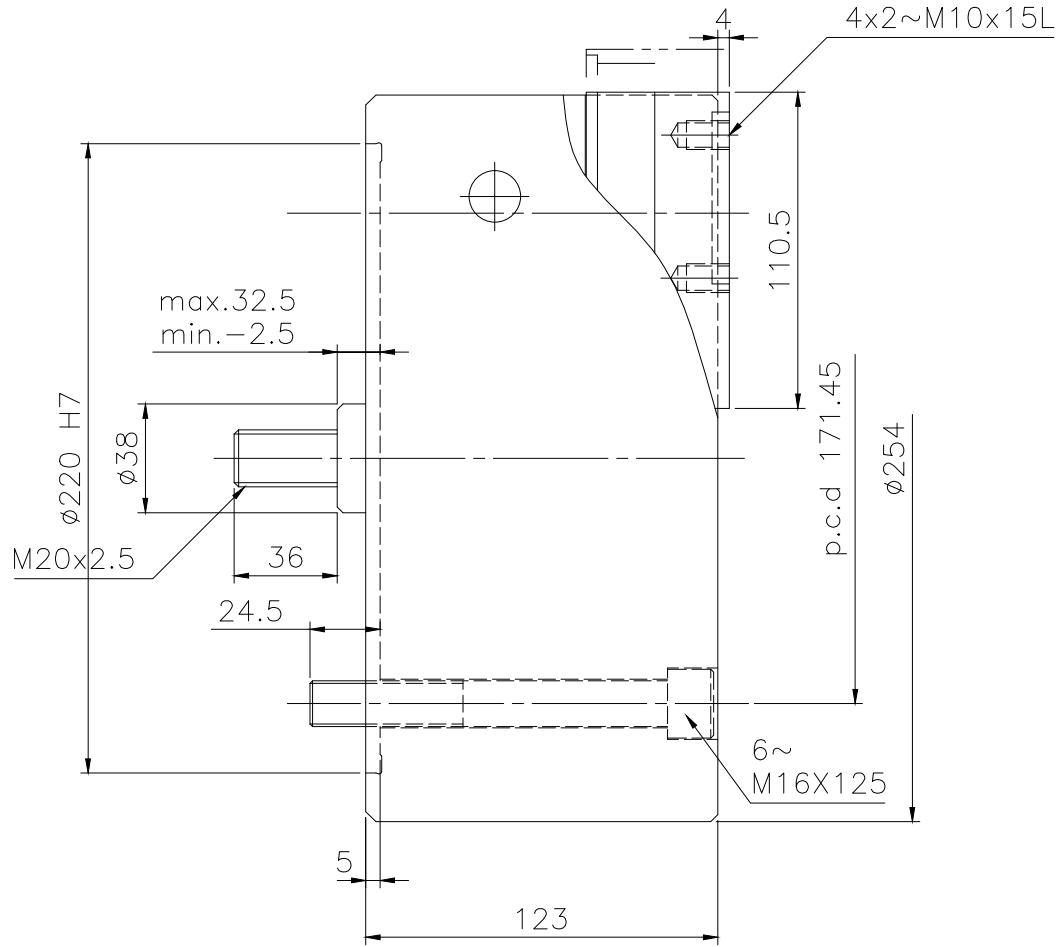
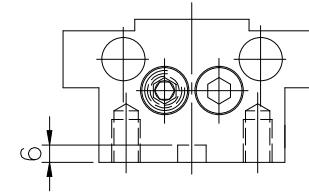


8	7	6	5	4	3	2	1
Spec.	mm	mm	kgf	r.p.m.	GD <sup>2</sup>	kg	Confirmed
Model	Plunger Stroke	Jaw Stroke (Dia.)	Max D.B. pull	Max speed	kg · m <sup>2</sup>	Weight	
FD-1060	35	60	2100	1800	—	41.5	



LEADER CHUCK INTERNATIONAL  
+44 (0) 1827 700000  
+353 (0)1 254 2555  
INFORMATION@LEADERCHUCK.COM  
LEADERCHUCK.COM

TITLE:  
Double Slide Facing Head  
(Lever Activation)

DRAWING NO.:

A3 \ AG-FD-1060

