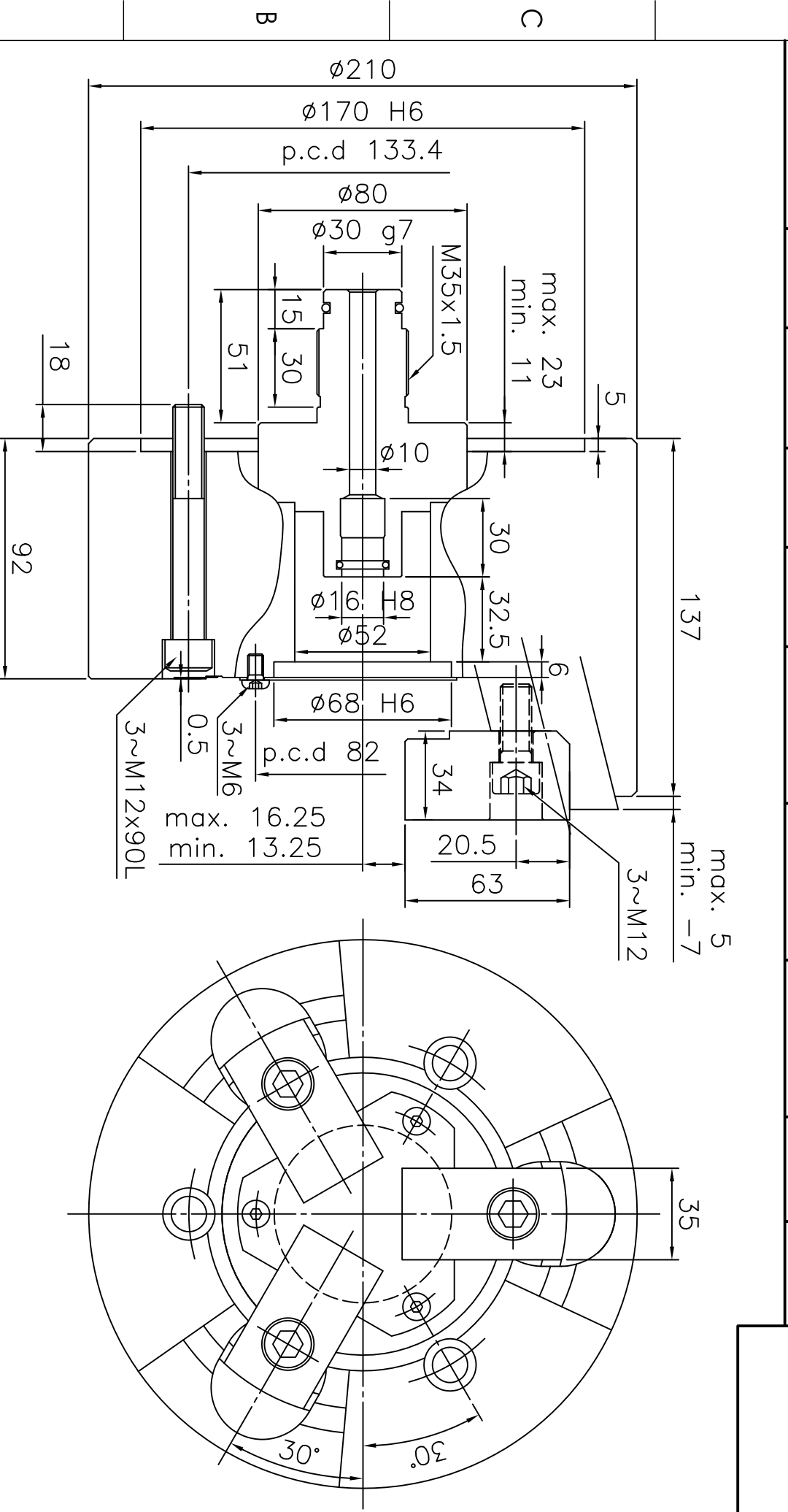


Spec. Model	mm	mm	Chucking Dia. mm		kgf	kgf	r.p.m.	kg · m ²	kg	Confirmed
	Plunger Stroke	Low Stroke (Dia.)	Max.	min.	Max D.B. pull	Max clamping force	Max speed	Weight		
3U-208K	12	6	132	25	2550	8150	6000	0.14	25.8	



LEADER CHUCK INTERNATIONAL
 +44 (0) 1827 700000
 +353 (0) 1 254 2555
 INFORMATION@LEADERCHUCK.COM
 LEADERCHUCK.COM

TITLE:
 Thru-Hole Pull Lock Chuck

DRAWING NO.:
 A4 \ AG-3U-208K

