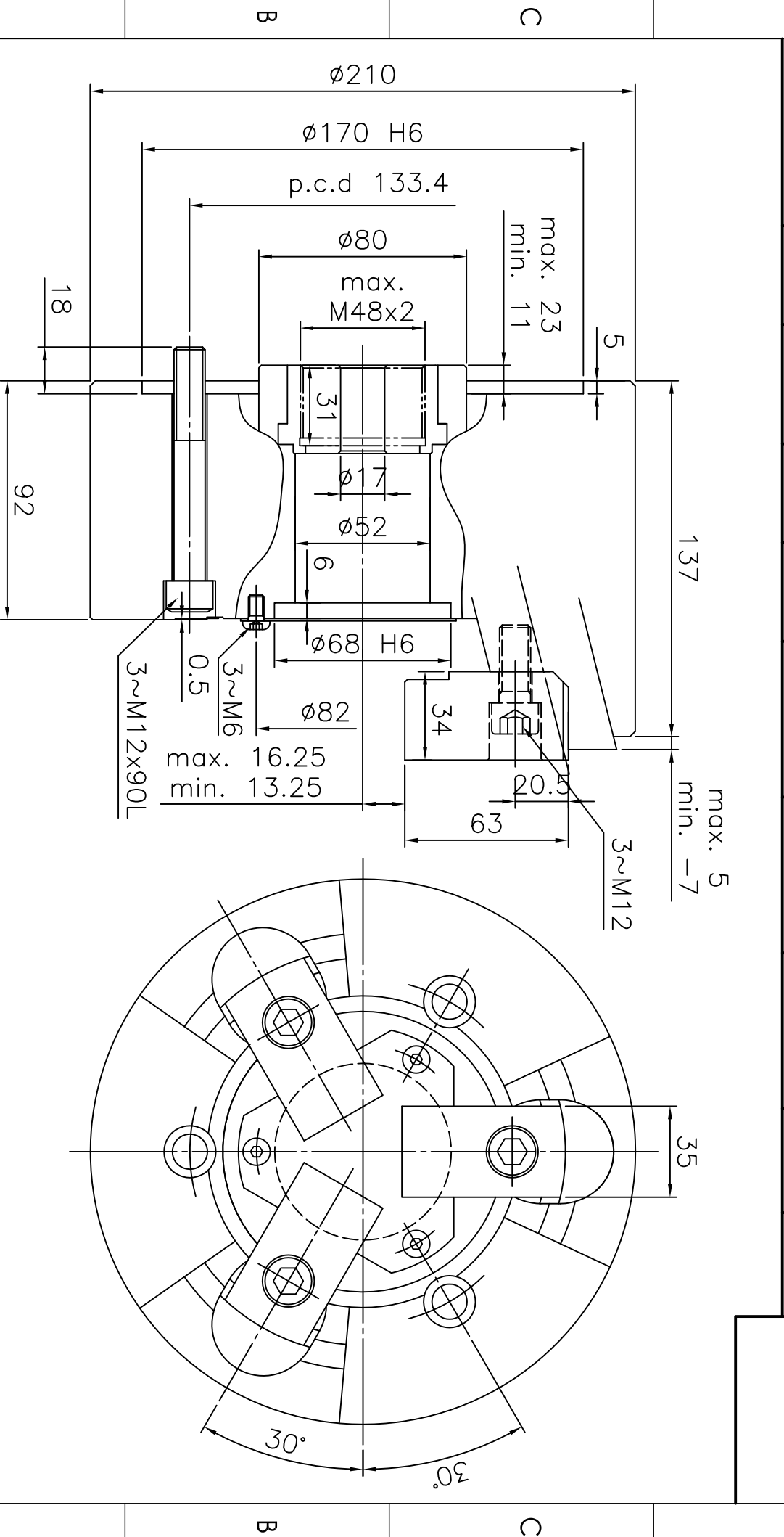


6	Spec.	mm		mm		mm		kgf	kgf	r.p.m.	kg·m ²	kg	Confirmed
	Model	Punger Stroke	Low Stroke (Dia.)	Max.	min.	Max D.B. pull	Max clamping force	Max speed		Weight			
D	3U-208	12	6	132	25	2550	8150	6000	0.14	25.5			



LEADER CHUCK INTERNATIONAL
 +44 (0) 1827 700000
 +353 (0)1 254 2555
 INFORMATION@LEADERCHUCK.COM
 LEADERCHUCK.COM

TITLE: Thru-Hole Pull Lock Chuck

DRAWING NO.: A4 \ AG-3U-208

