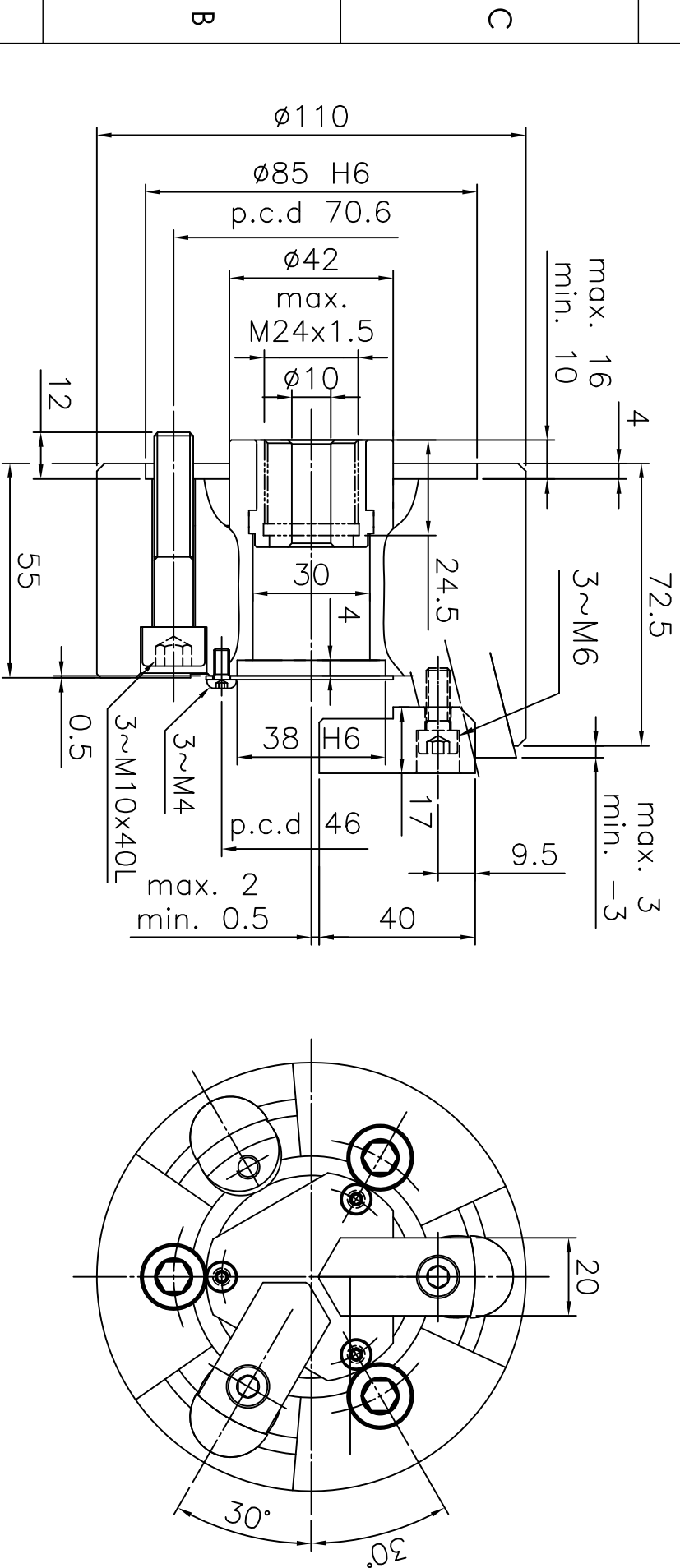


6	Spec.	mm	Plunger Stroke	mm	Jaw Stroke (Dia.)	Chucking Dia. mm		kgf	Max D.B. pull	kgf	Max clamping force	r.p.m.	Max speed	GD ² kg·m ²	kg	Weight	Confirmed
	Model					Max.	min.										
D	3U-204	6	3	60	10	1020	2900	8000	0.005	3.9							



LEADER CHUCK INTERNATIONAL
+44 (0) 1827 700000
+353 (0)1 254 2555
INFORMATION@LEADERCHUCK.COM
LEADERCHUCK.COM

TITLE:

Thru-Hole Pull Lock Chuck

DRAWING NO.:

A4 \ AG-3U-204

