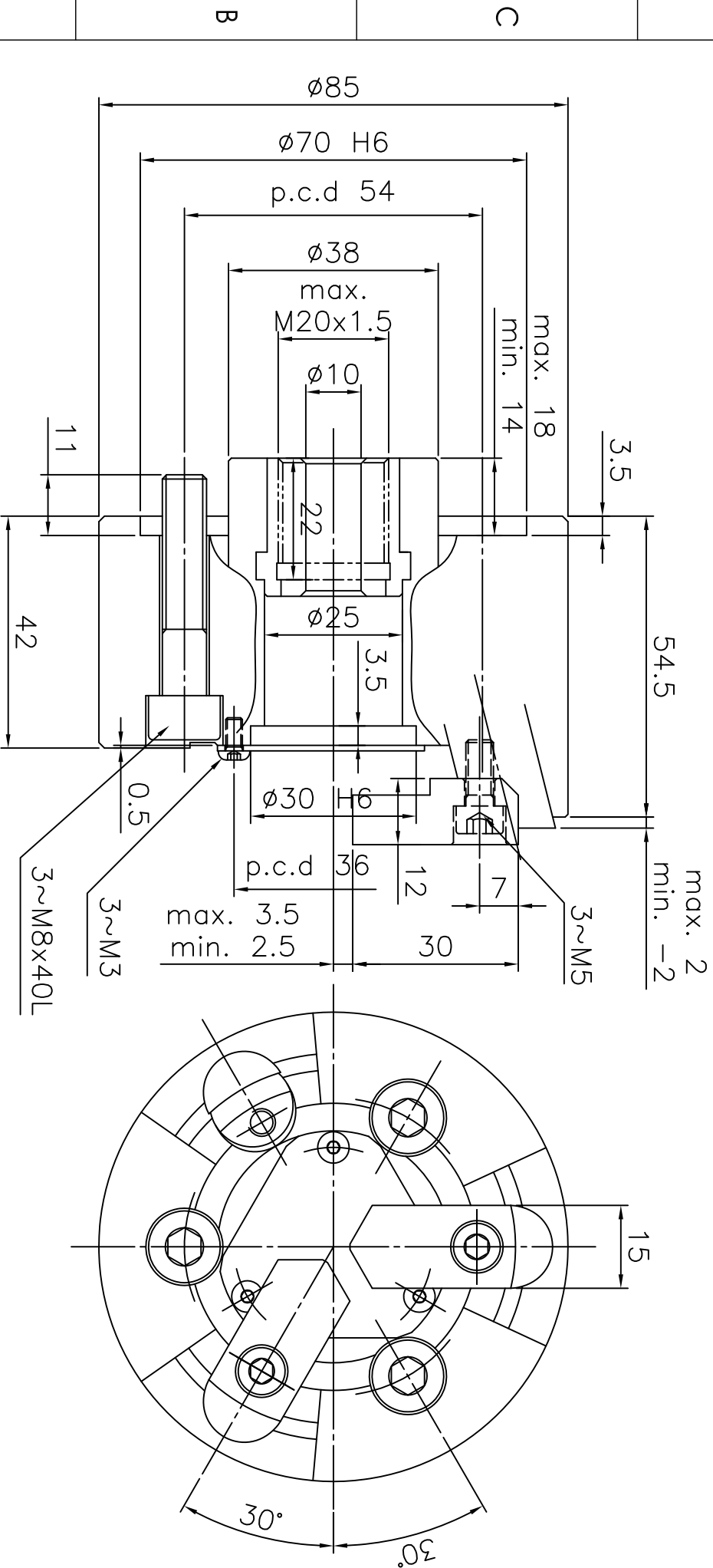


6	Spec.	mm	mm	Chucking Dia. mm		kgf	kgf	r.p.m.	GD <sup>2</sup> kg·m <sup>2</sup>	kg	Confirmed
	Model			Plunger Stroke	Jaw Stroke (Dia.)						
D	3U-203	4	2	42	6	590	1700	10000	0.001	1.8	



LEADER CHUCK INTERNATIONAL  
 +44 (0) 1827 700000  
 +353 (0)1 254 2555  
 INFORMATION@LEADERCHUCK.COM  
 LEADERCHUCK.COM

TITLE:  
 Thru-Hole Pull Lock Chuck

DRAWING NO.:

A4 \ AG-3U-203

