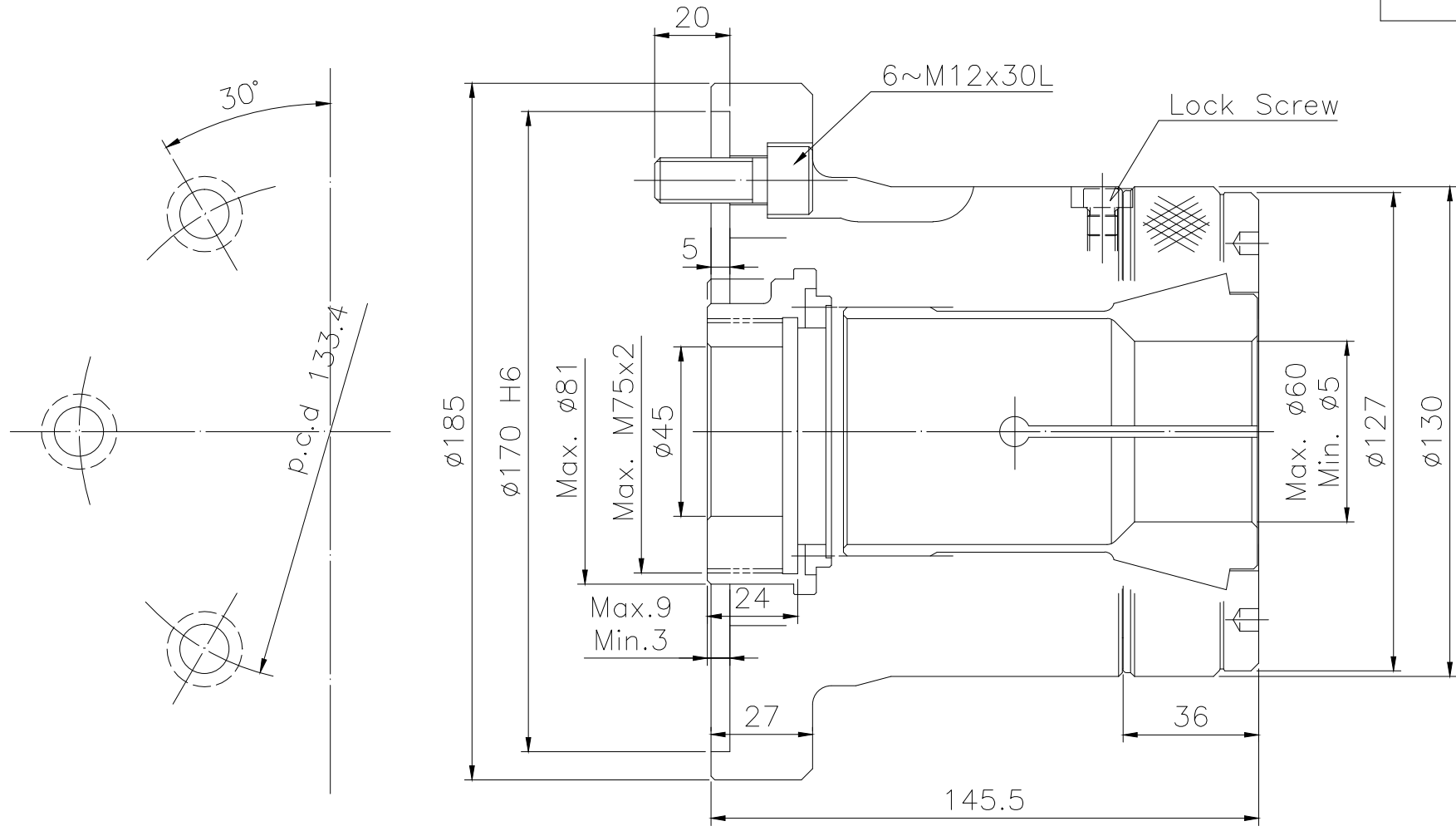


| Spec. | mm | | Chucking Dia. mm | | kgf | | r.p.m. | l | kg | Confirmed |
|---------|----------------|-------------------|------------------|------|---------------|--------------------|-----------|-------------------|--------|-----------|
| | Plunger Stroke | Jaw Stroke (Dia.) | Max. | min. | Max D.B. pull | Max clamping force | Max speed | kg m ² | Weight | |
| CL-6017 | 6 | — | 60 | 5 | 3000 | 6500 | 5000 | 0.098 | 14.1 | |



LEADER CHUCK INTERNATIONAL
+44 (0) 1827 700000
+353 (0)1 254 2555
INFORMATION@LEADERCHUCK.COM
LEADERCHUCK.COM

TITLE:
Collet Chuck

DRAWING NO.:
A4\AG-CL-6017



| | | | | | |
|---|---|---|---|---|---|
| 6 | 5 | 4 | 3 | 2 | 1 |
|---|---|---|---|---|---|