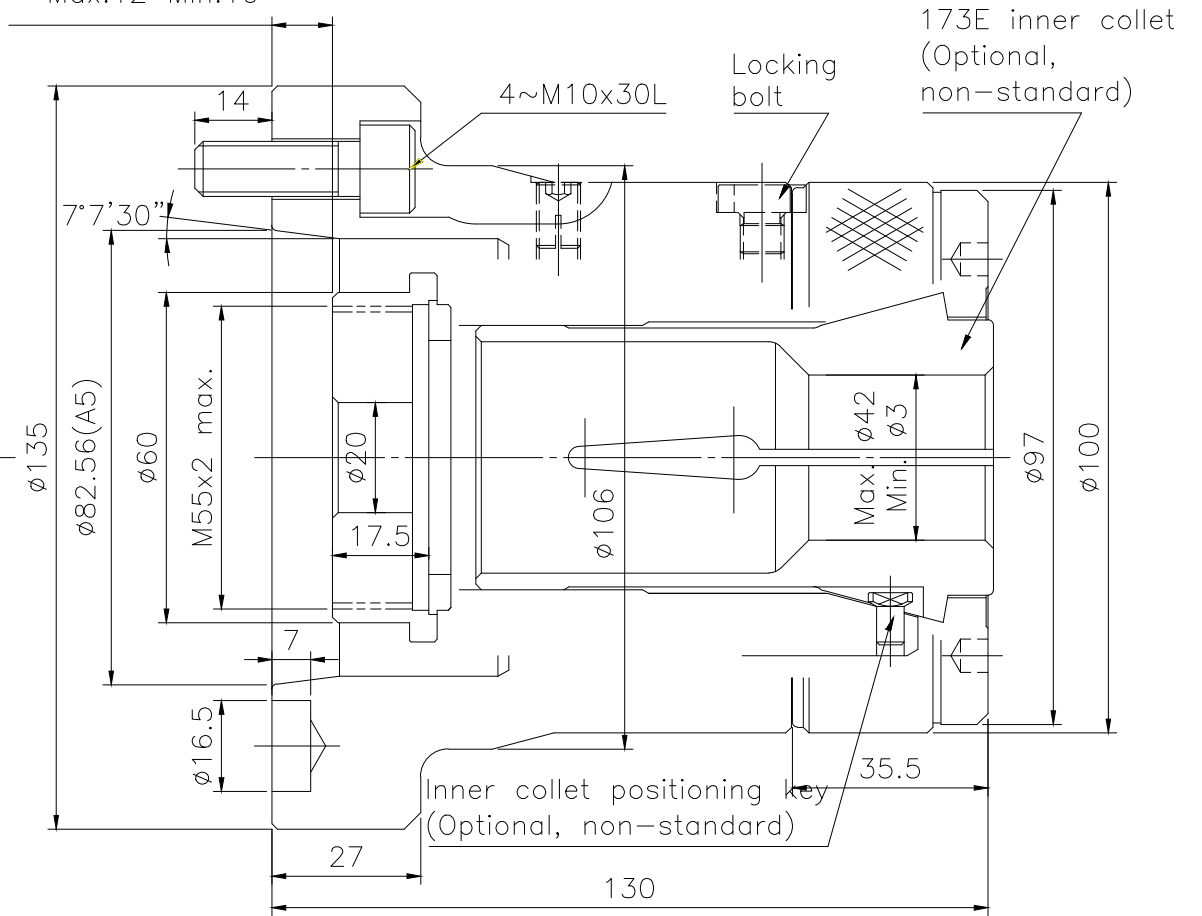
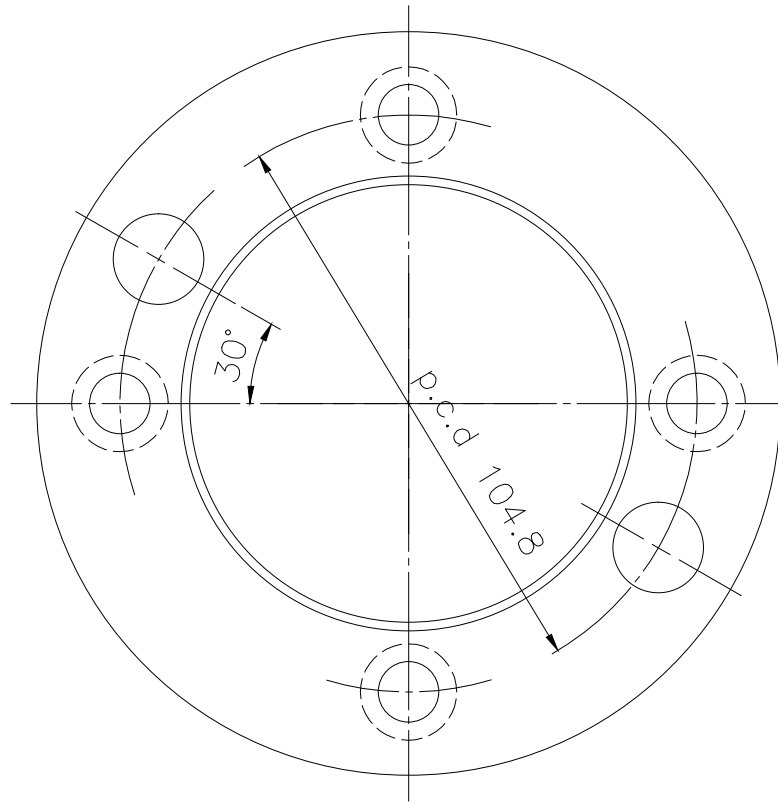


6	5		4		3		2		1	
Spec.	mm	mm	Chucking Dia. mm		kgf	kgf	r.p.m.	l	kg	Confirmed
Model	Plunger Stroke	Jaw Stroke (Dia.)	Max.	min.	Max D.B. pull	Max clamping force	Max speed	kg m ²	Weight	
CL-42A5	6	—	42	3	2500	5400	6000	0.057	6.1	

Max.14 Min.8
Actual range of action
Max.12 Min.10



LEADER CHUCK INTERNATIONAL
+44 (0) 1827 700000
+353 (0)1 254 2555
INFORMATION@LEADERCHUCK.COM
LEADERCHUCK.COM

TITLE:

Collet Chuck

DRAWING NO.:

A4 \ AG-CL-42A5



6	5	4	3	2	1
---	---	---	---	---	---