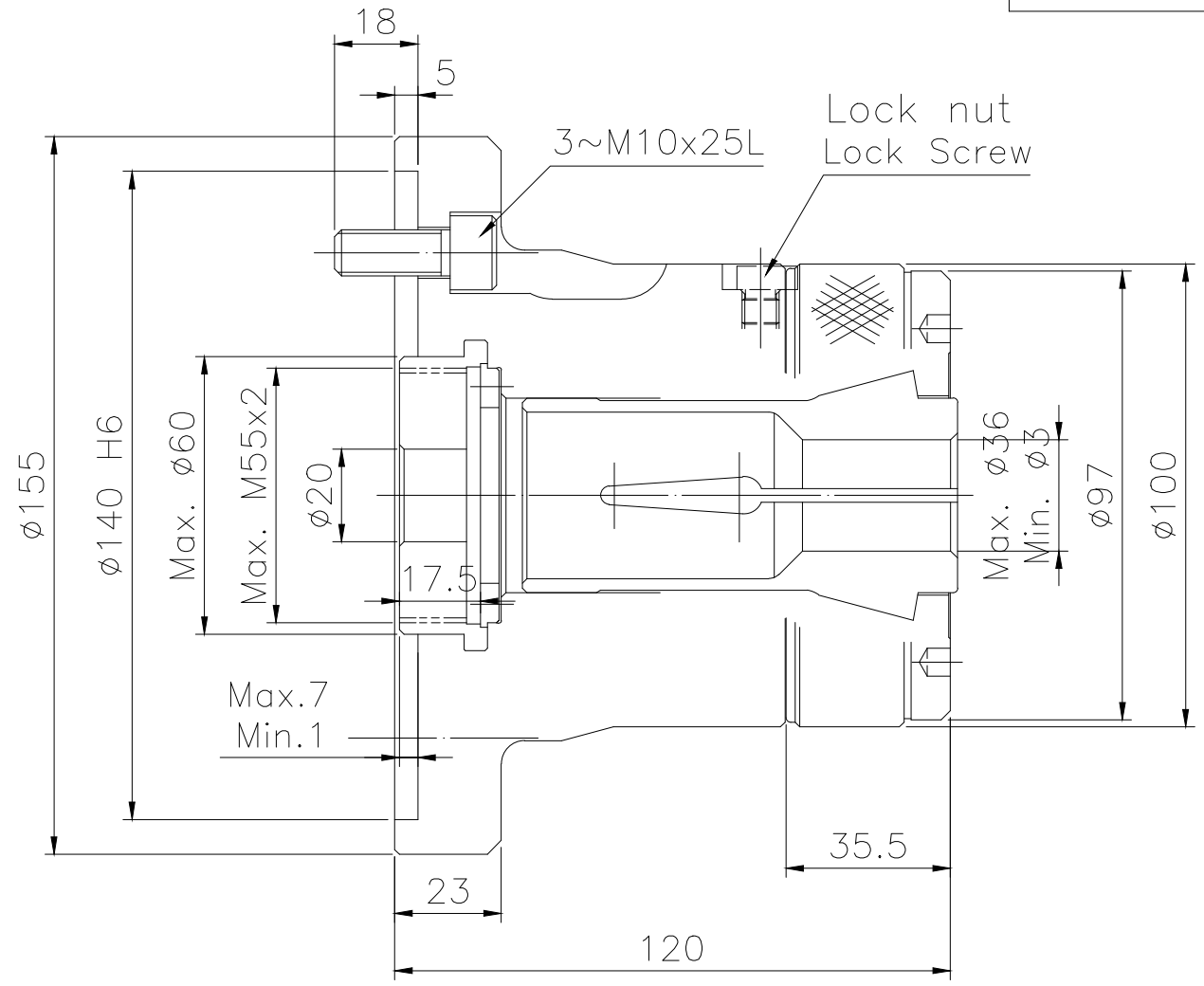
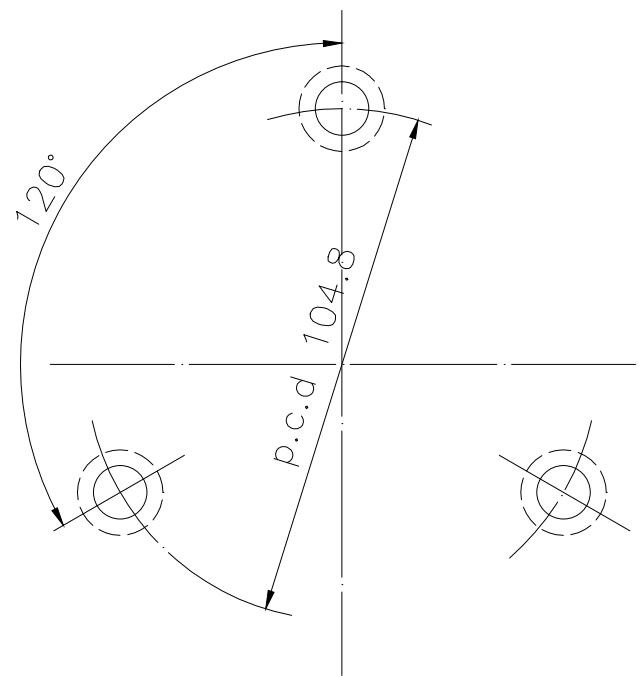


6		5		4		3		2		1	
Spec.	mm	mm	Chucking Dia. mm		Allowable hydraulic cylinder thrust kgf	Maximum clamping force kgf	Maximum number of revolutions r.p.m.	GD ²	kg	Confirmed	
Model	Plunger Stroke	Jaw Stroke (Dia.)	Max.	min.	Max D.B. pull	Max clamping force	Max speed	kg · m ²	Weight		
CL-36	6	-	36	3	2500	5400	6000	-	6.0		



LEADER CHUCK INTERNATIONAL
+44 (0) 1827 700000
+353 (0)1 254 2555
INFORMATION@LEADERCHUCK.COM
LEADERCHUCK.COM

TITLE:
Collet Chuck

DRAWING NO.:
A4\AG-CL-36



6		5		4		3		2		1	
---	--	---	--	---	--	---	--	---	--	---	--