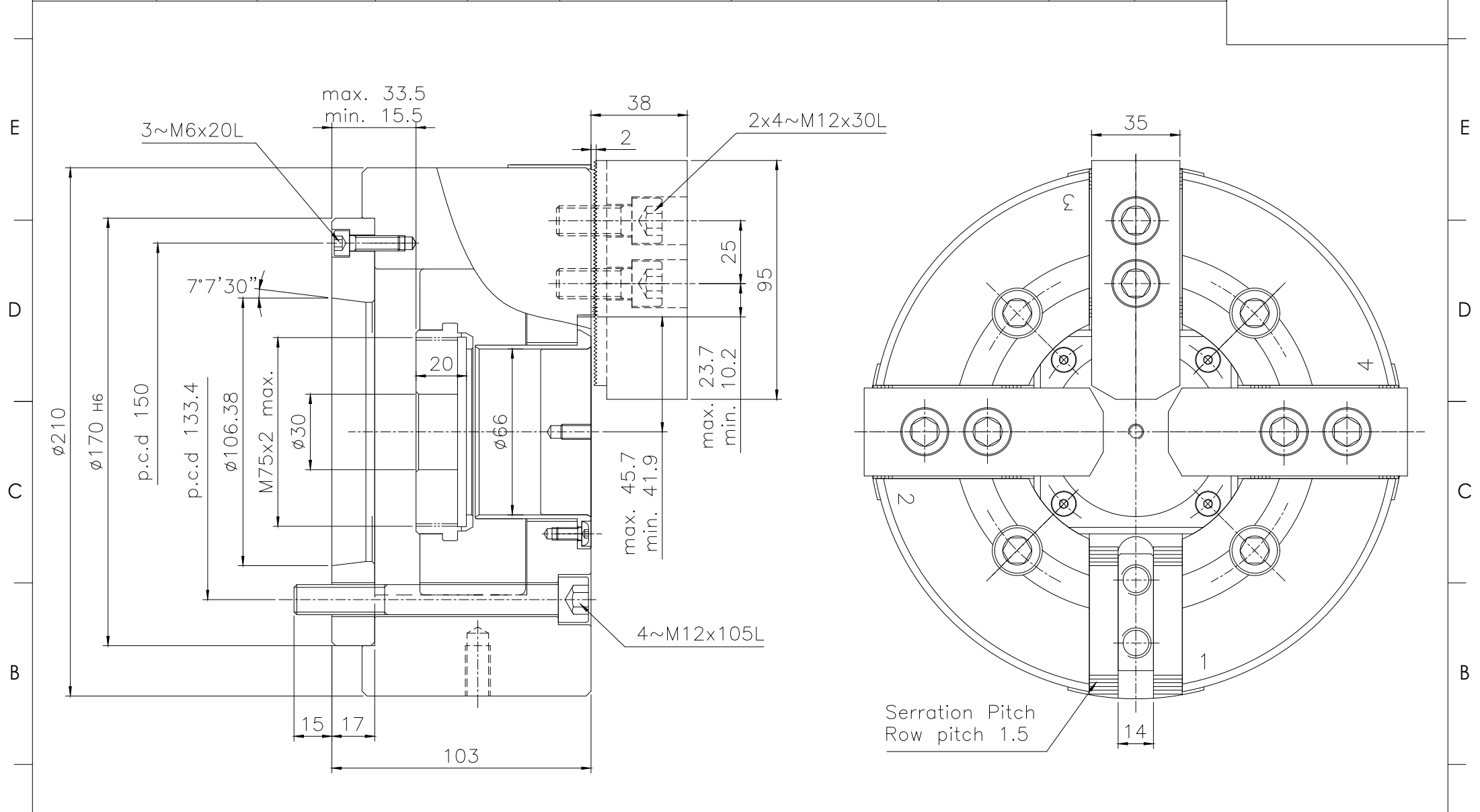



Spec.	7		6		5	4	3	2	1	
	mm	mm	Chuck Dia. mm		kgf	kgf	r.p.m.	l	kg	Confirmed
Model	Plunger Stroke	Jaw Stroke (Dia.)	Max.	min.	Max D.B. pull	Max clamping force	Max speed	kg m ²	Weight	
4H-208A6	18	7.6	210	17	3250	10900	5000	0.18	25.2	



<p>LEADER CHUCK INTERNATIONAL +44 (0) 1827 700000 +353 (0)1 254 2555 INFORMATION@LEADERCHUCK.COM LEADERCHUCK.COM</p>	<p>TITLE: Large aperture Four-Jaw Power Chuck</p>	<p>DRAWING NO.: A3\AG-4H-208A6</p>	
--	--	------------------------------------	---

8 7 6 5 4 3 2 1