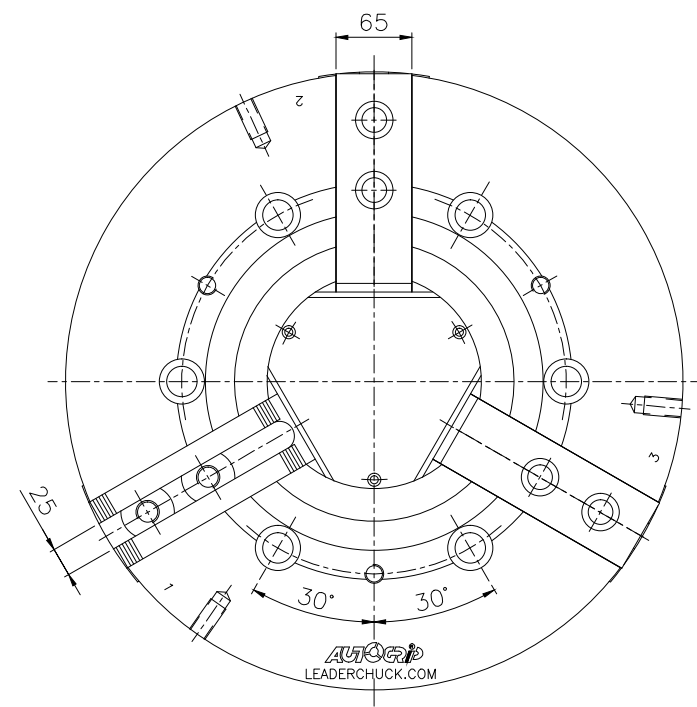
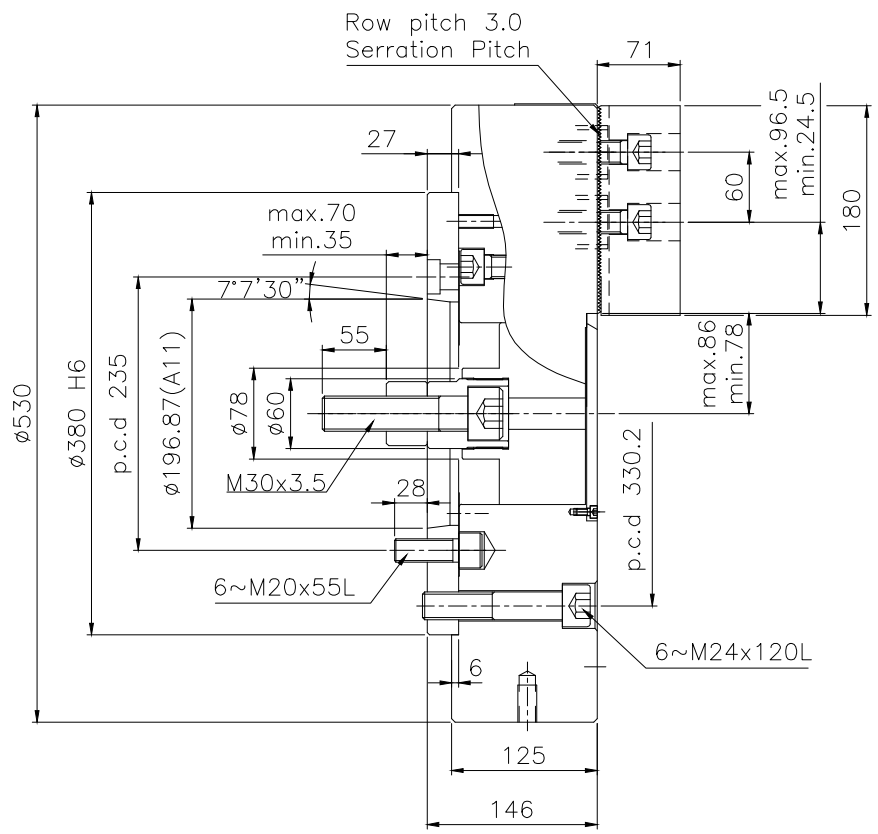


8	7		6		5	4	3	2		1
Spec.	mm	mm	Chuck Dia. mm		kgf	kgf	r.p.m.	l	kg	Confirmed
Model	Plunger Stroke	Jaw Stroke (Dia.)	Max.	min.	Max D.B. pull	Max clamping force	Max speed	kg m ²	Weight	
F 3P-221A11	35	16	530	62	8360	27800	1900	4.9	175	F



LEADER CHUCK INTERNATIONAL
+44 (0) 1827 700000
+353 (0)1 254 2555
INFORMATION@LEADERCHUCK.COM
LEADERCHUCK.COM

TITLE:
Zhongshi three-jaw chuck

DRAWING NO.:
A3\AG-3P-221A11

