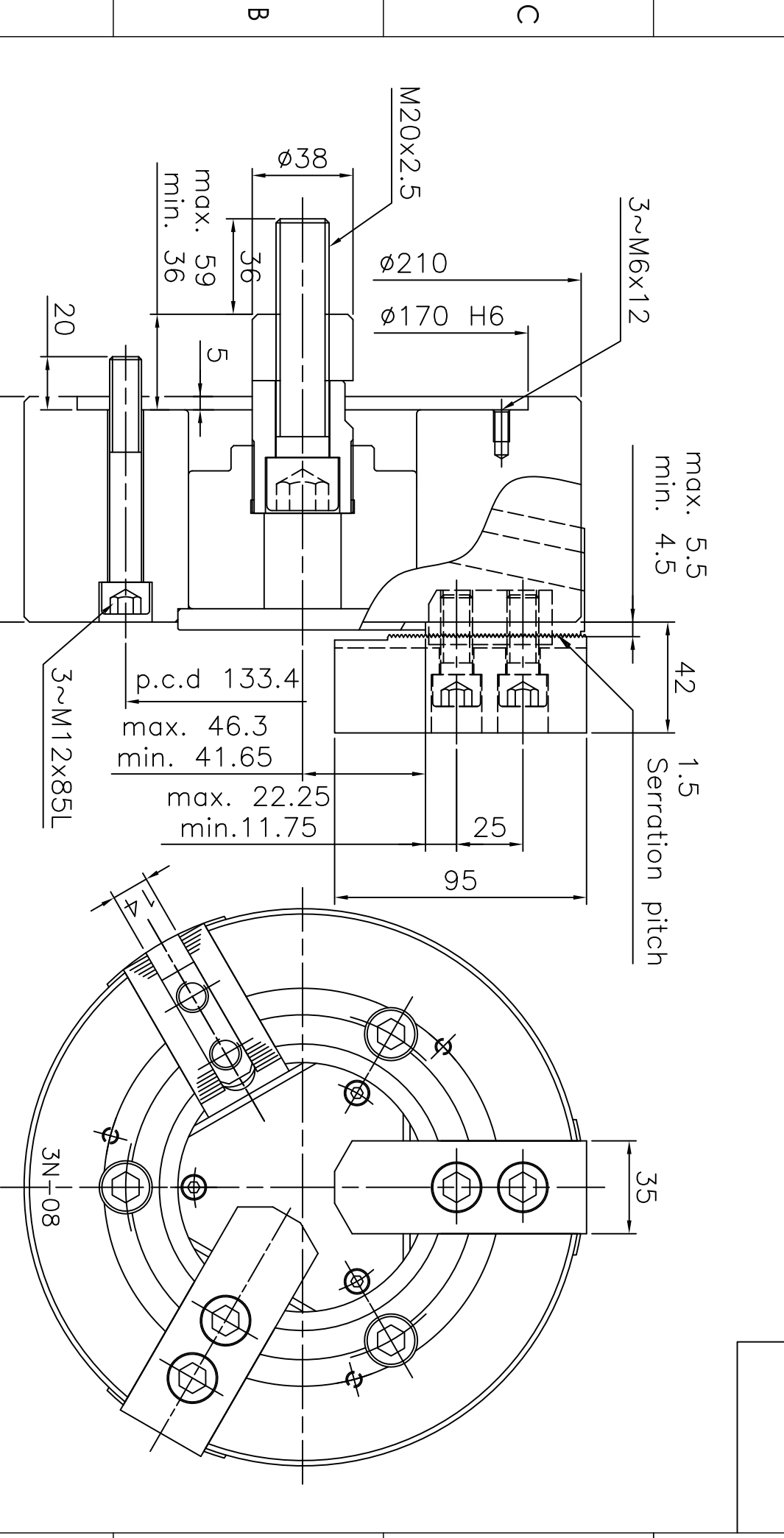


6	5	4	3	2	1			
Spec. Model	mm Plunger Stroke	mm Jaw Stroke (Dia.)	Chucking Dia. mm	kgf Max D.B. pull	kgf Max clamping force	r.p.m. Max speed	kg Weight	Confirmed
3N-08	23	9.4(1)	Max. 210 min. 17	2540	8750	4500	0.14	24.5



LEADER CHUCK INTERNATIONAL  
 +44 (0) 1827 700000  
 +353 (0)1 254 2555  
 INFORMATION@LEADERCHUCK.COM  
 LEADERCHUCK.COM

TITLE: Oblique Jaw Type Solid Three Jaw Chuck

DRAWING NO.: A4 \ AG-3N-08



6 5 4 3 2 1