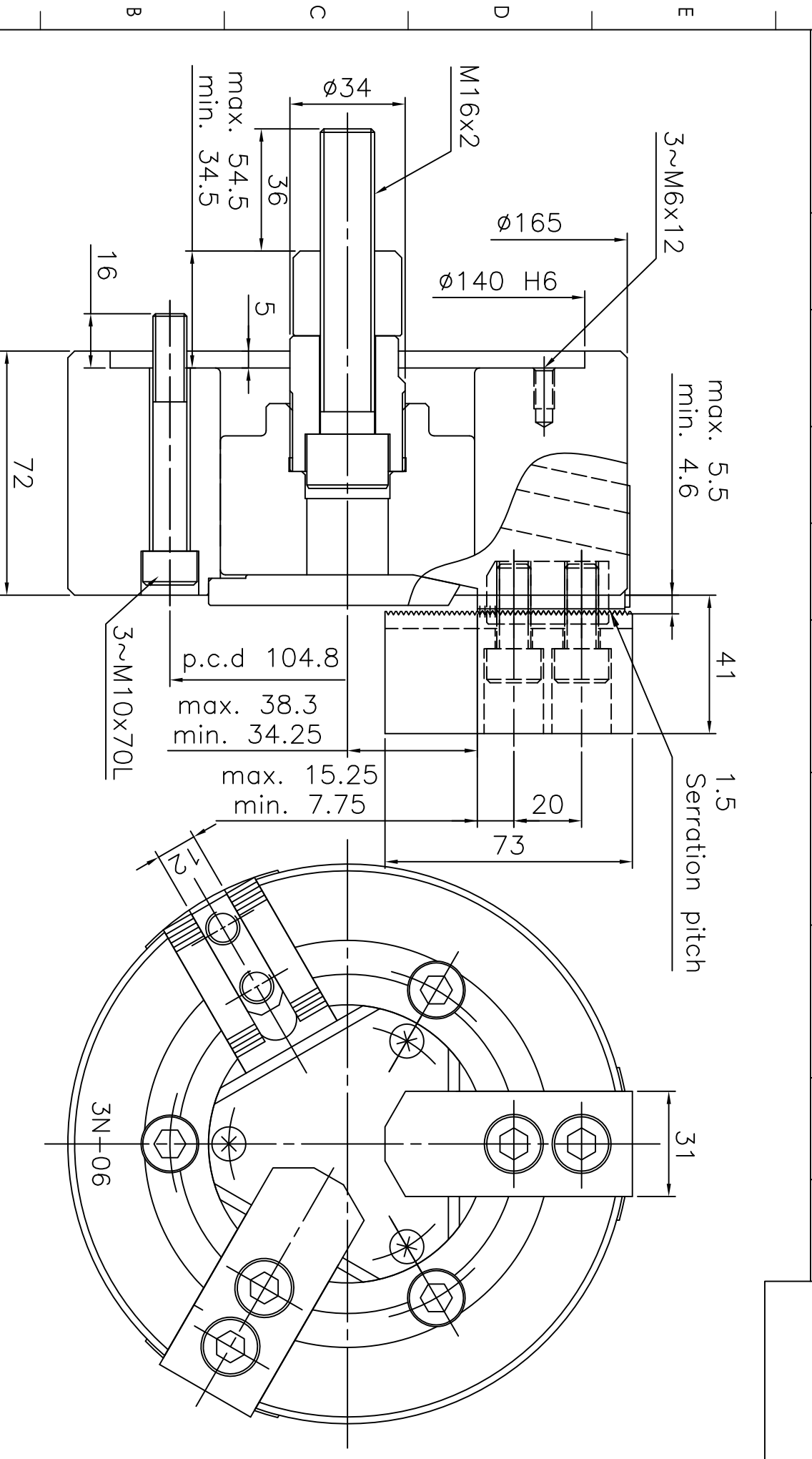


| | | | | | | | | | | |
|----------------|----|-------------|----------------|-------------------|------|------|--------|-------------------|------|-----------|
| Spec. Model | mm | mm | 6 | | kgf | kgf | r.p.m. | kg·m ² | kg | Confirmed |
| | | | Plunger Stroke | Jaw Stroke (Dia.) | | | | | | |
| 3N-06 | 20 | 8.1 (軸向0.9) | 165 | 14 | 1835 | 6270 | 5000 | 0.05 | 11.1 | |



LEADER CHUCK INTERNATIONAL
 +44 (0) 1827 700000
 +353 (0) 1 254 2555
 INFORMATION@LEADERCHUCK.COM
 LEADERCHUCK.COM

TITLE:
 Oblique Jaw Type Solid
 Three Jaw Chuck

DRAWING NO.:
 A3 / AG-3N-06

LEADER CHUCK
 INTERNATIONAL