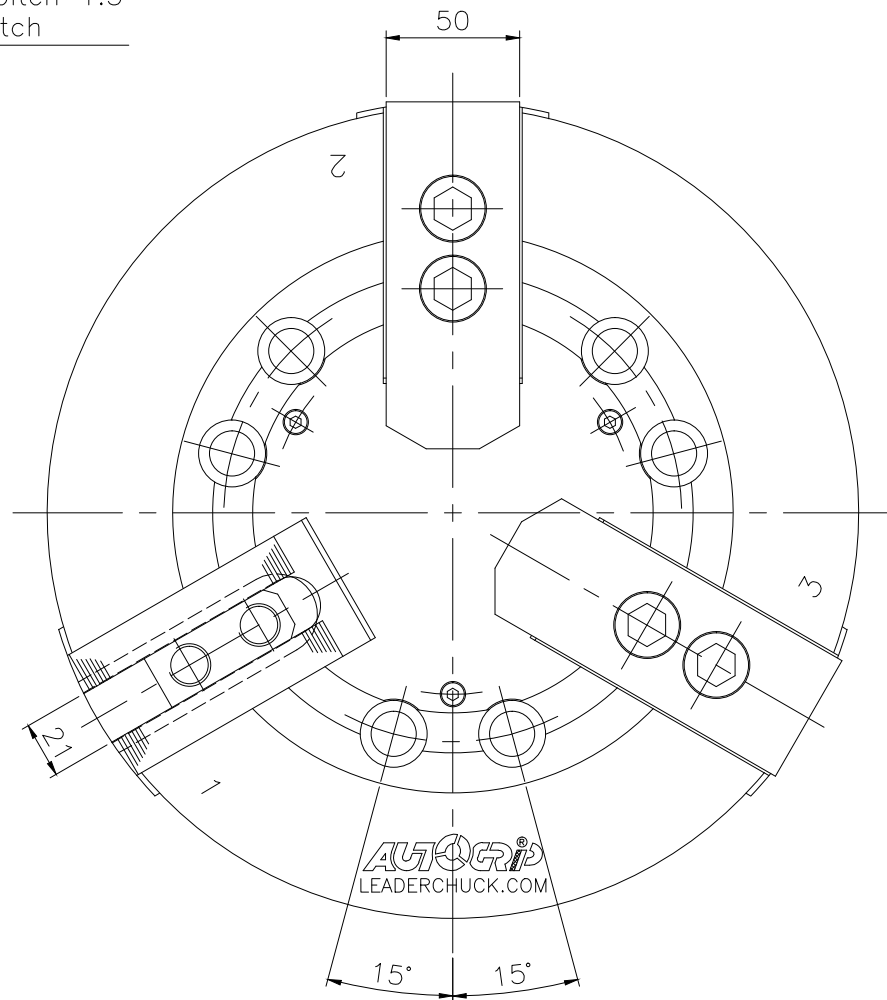
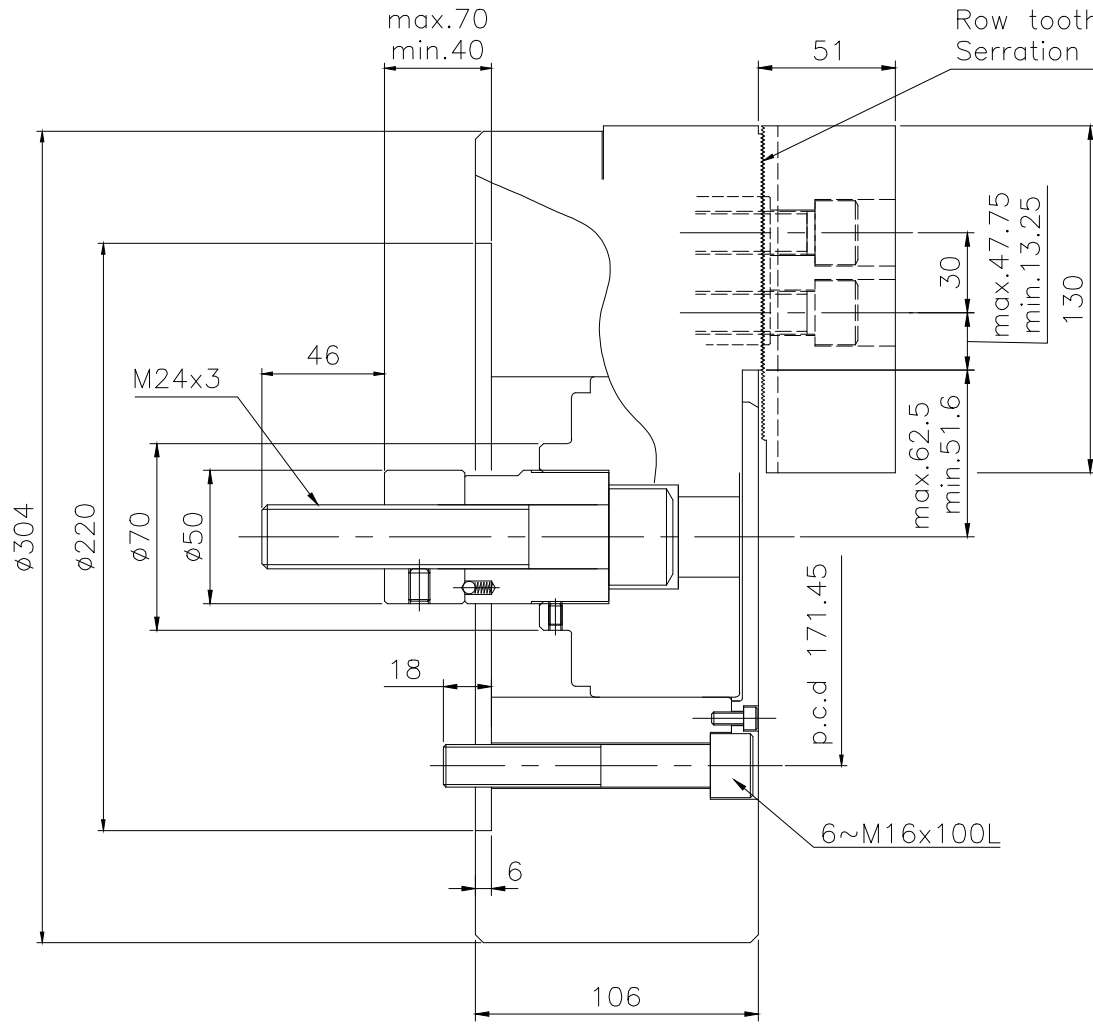


8	7		6		5	4	3	2	1	
	Spec.	mm	mm	Chucking Dia. mm		kgf	kgf	r.p.m.	GD ²	kg
Model	Plunger Stroke	Jaw Stroke (Dia.)	Max.	min.	Max D.B. pull	Max clamping force	Max speed	kg m ²	Weight	Confirmed
3M-12	30	21.8	304	26	5500	10100	2500	0.71	59.4	



LEADER CHUCK INTERNATIONAL
+44 (0) 1827 700000
+353 (0)1 254 2555
INFORMATION@LEADERCHUCK.COM
LEADERCHUCK.COM

TITLE:
Non-thru-hole Long Jaw
Stroke Power Chuck

DRAWING NO.:
A3 \ AG-3M-12



8 7 6 5 4 3 2 1