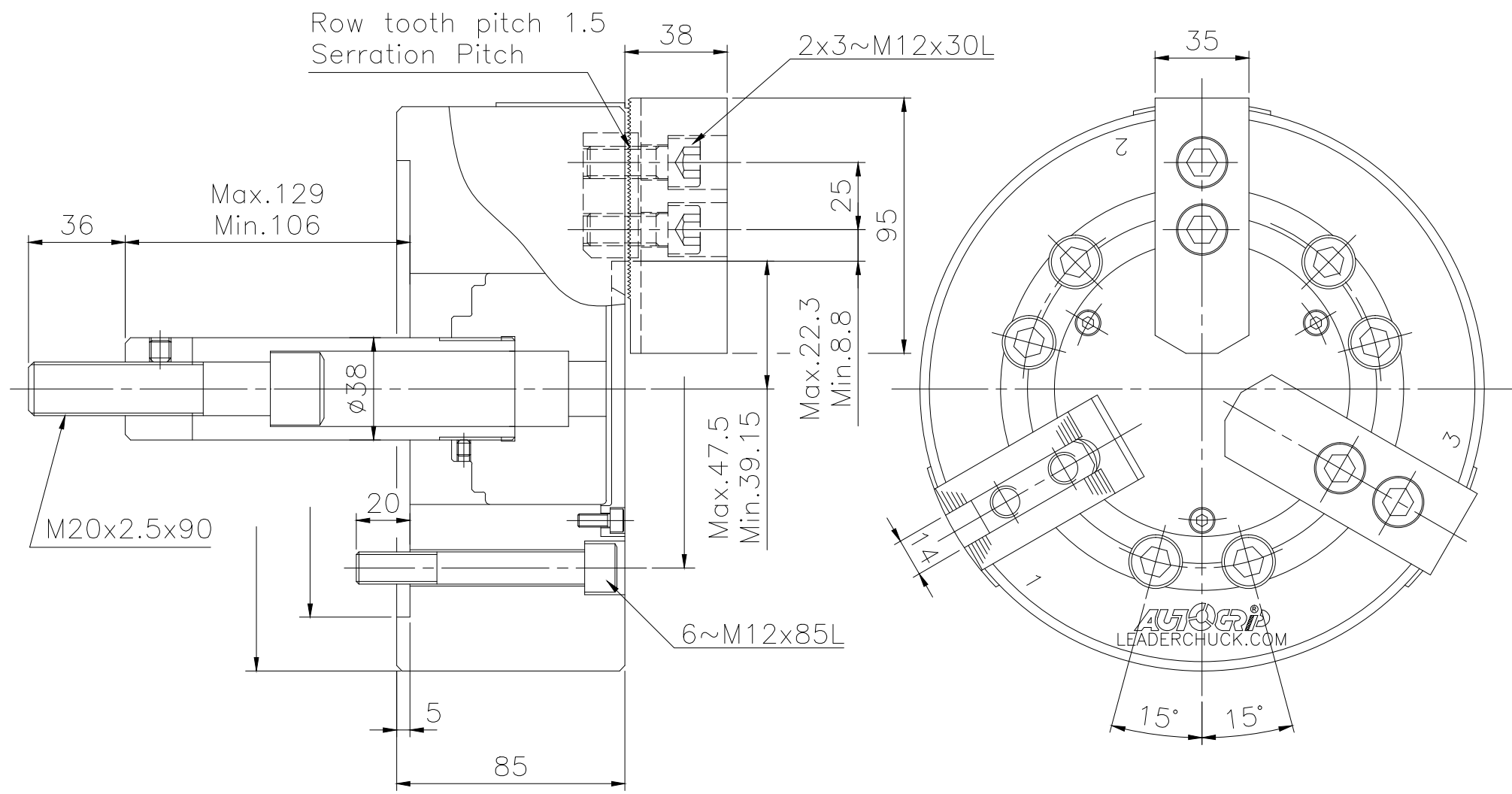


6	5		4		3		2		1	Confirmed
Spec.	mm	mm	Chucking Dia. mm		kgf	kgf	r.p.m.	l	kg	
Model	Plunger Stroke	Jaw Stroke (Dia.)	Max.	min.	Max D.B. pull	Max clamping force	Max speed	kg m ²	Weight	
3M-08	23	16.7	210	17	3000	5600	3500	0.13	23	



LEADER CHUCK INTERNATIONAL
+44 (0) 1827 700000
+353 (0)1 254 2555
INFORMATION@LEADERCHUCK.COM
LEADERCHUCK.COM

TITLE:
Three-jaw medium and long
stroke power chuck

DRAWING NO.:
A4\AG-3M-08



6	5	4	3	2	1
---	---	---	---	---	---