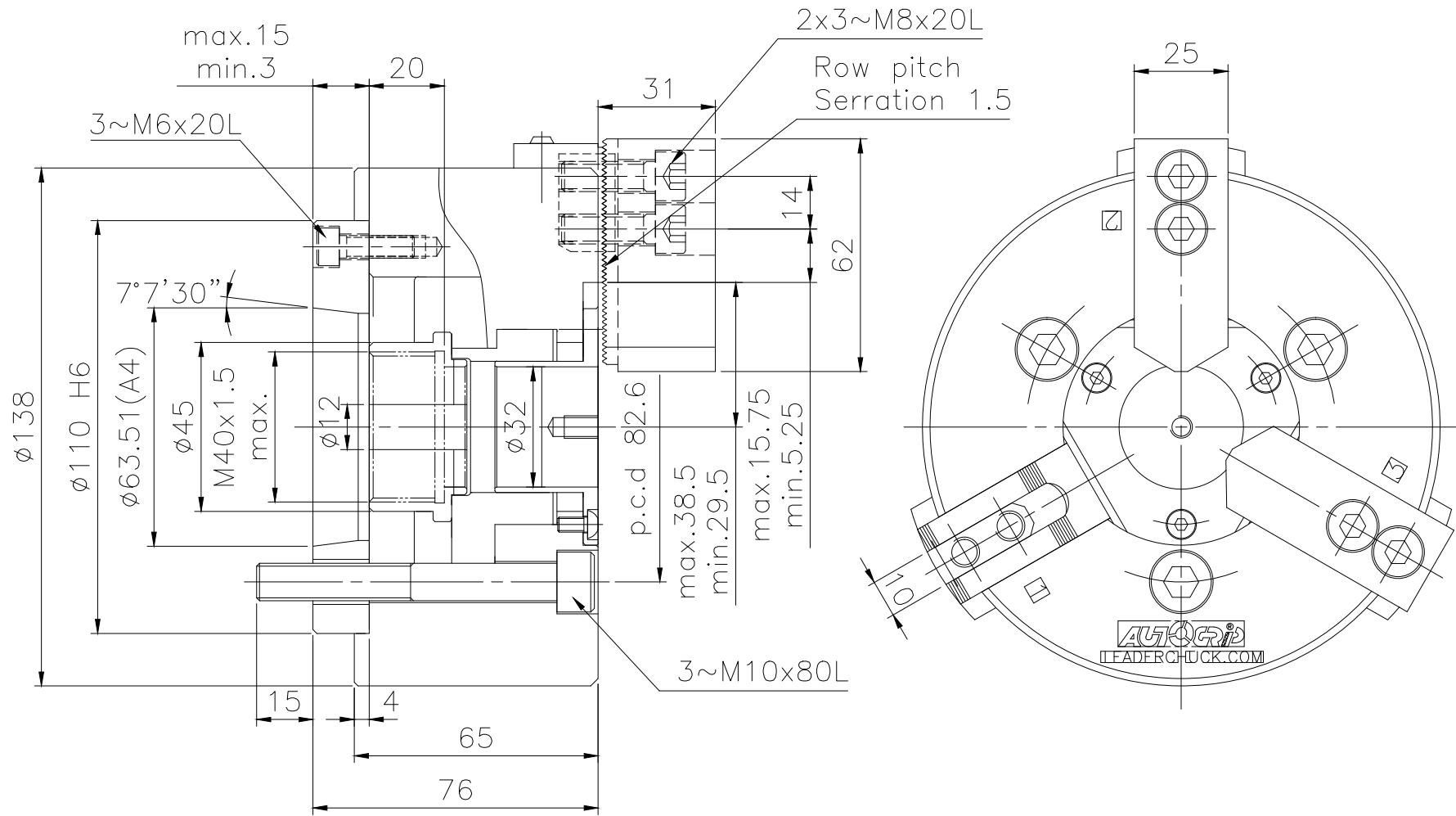


	6	5		4		3		2		1	
	Spec.	mm	mm	Chucking Dia. mm		kgf	kgf	r.p.m.	l	kg	Confirmed
	Model	Plunger Stroke	Jaw Stroke (Dia.)	Max.	min.	Max D.B. pull	Max clamping force	Max speed	kg m ²	Weight	
D	3L-205A4	12	18	135	6	1590	1750	4200	0.019	8	D



LEADER CHUCK INTERNATIONAL
+44 (0) 1827 700000
+353 (0)1 254 2555
INFORMATION@LEADERCHUCK.COM
LEADERCHUCK.COM

TITLE:
Extra Long Jaw Stroke Thru-hole
3-Jaw Power Chuck

DRAWING NO.:
A4\AG-3L-205A4



	6	5		4		3		2		1	
--	---	---	--	---	--	---	--	---	--	---	--