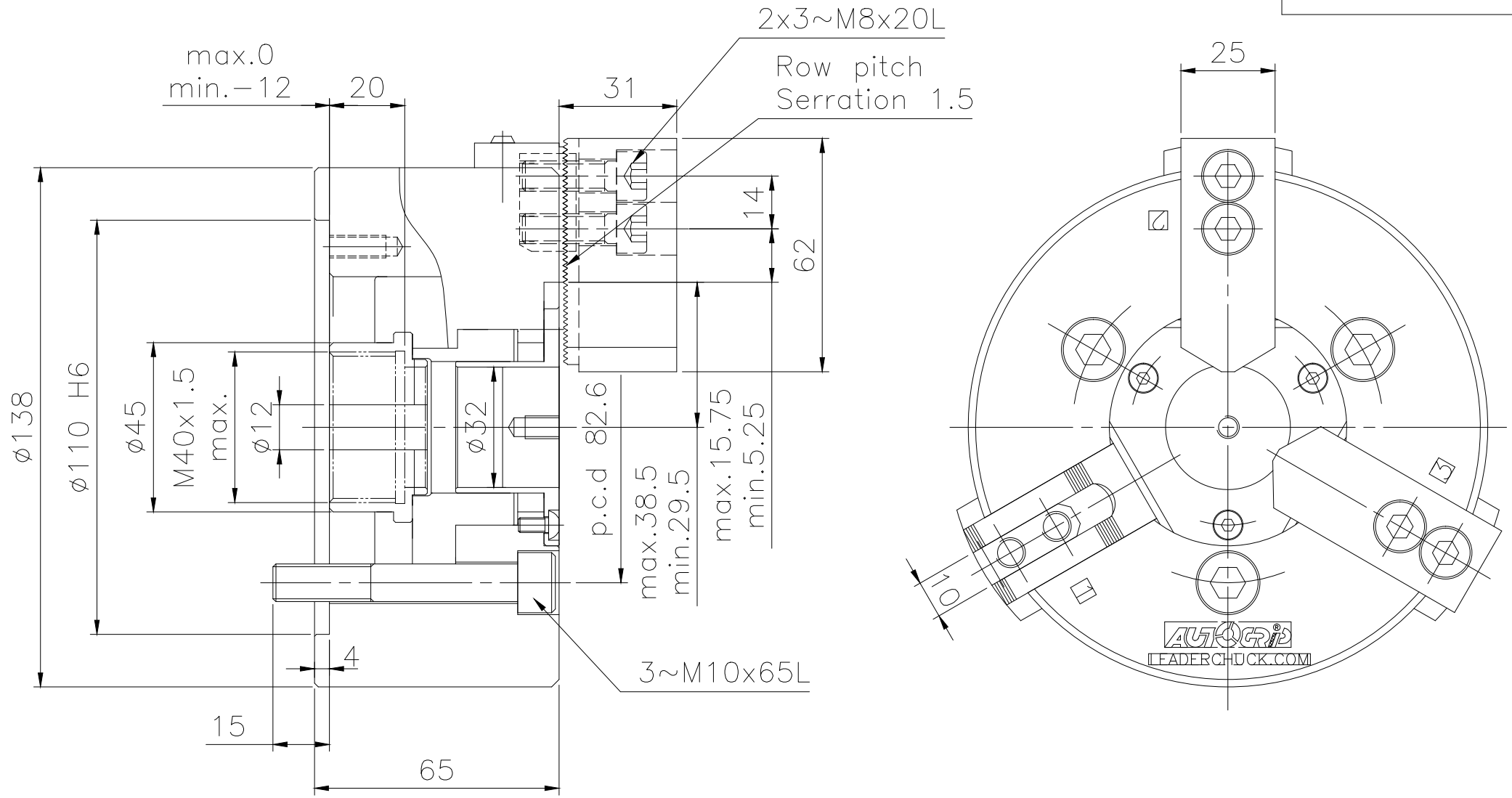


	6	5		4		3		2		1	
D	Spec.	mm	mm	Chucking Dia. mm		kgf	kgf	r.p.m.	l	kg	Confirmed
	Model	Plunger Stroke	Jaw Stroke (Dia.)	Max.	min.	Max D.B. pull	Max clamping force	Max speed	kg m ²	Weight	
	3I-205	12	18	135	6	1590	1750	4200	0.019	7.2	



LEADER CHUCK INTERNATIONAL +44 (0) 1827 700000 +353 (0)1 254 2555 INFORMATION@LEADERCHUCK.COM LEADERCHUCK.COM	TITLE: Extra Long Jaw Stroke Thru-hole 3-Jaw Power Chuck	DRAWING NO.: A4 \ AG-3L-205	
---	--	--------------------------------	--

6	5	4	3	2	1
---	---	---	---	---	---