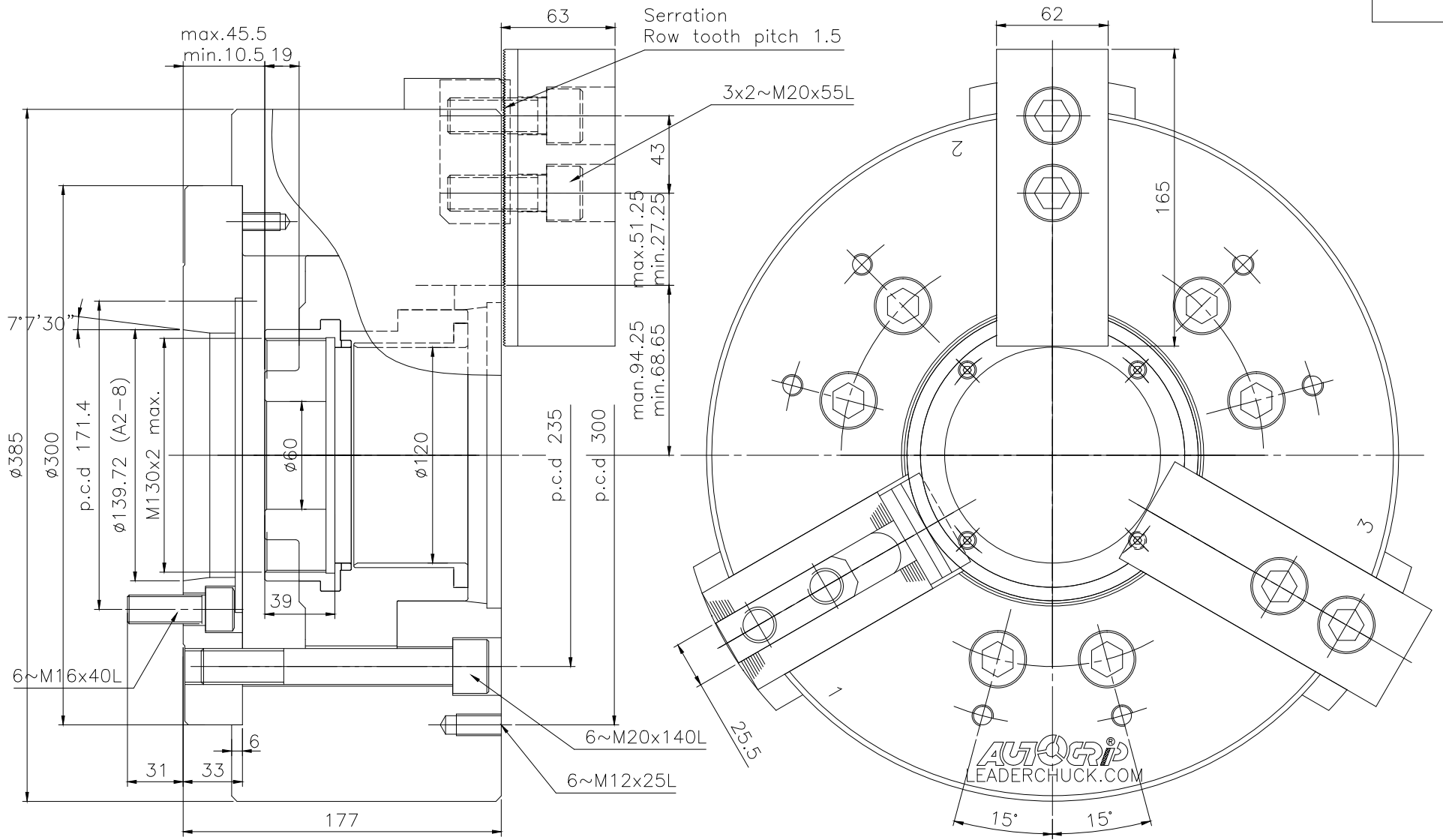


Spec.	7		6		5	4	3	2	1	
	mm	mm	Chucking Dia. mm		kgf	kgf	r.p.m.	l	kg	
Model	Plunger Stroke	Jaw Stroke (Dia.)	Max.	min.	Max D.B. pull	Max clamping force	Max speed	kg m ²	Weight	Confirmed
3L-15A8	35	52	385	26	8600	6930	1600	2.58	150.0	



LEADER CHUCK INTERNATIONAL
+44 (0) 1827 700000
+353 (0)1 254 2555
INFORMATION@LEADERCHUCK.COM
LEADERCHUCK.COM

TITLE:
Extra long jaw stroke thru-hole
3 jaw power chuck

DRAWING NO.:
A3\AG-3L-15A8

