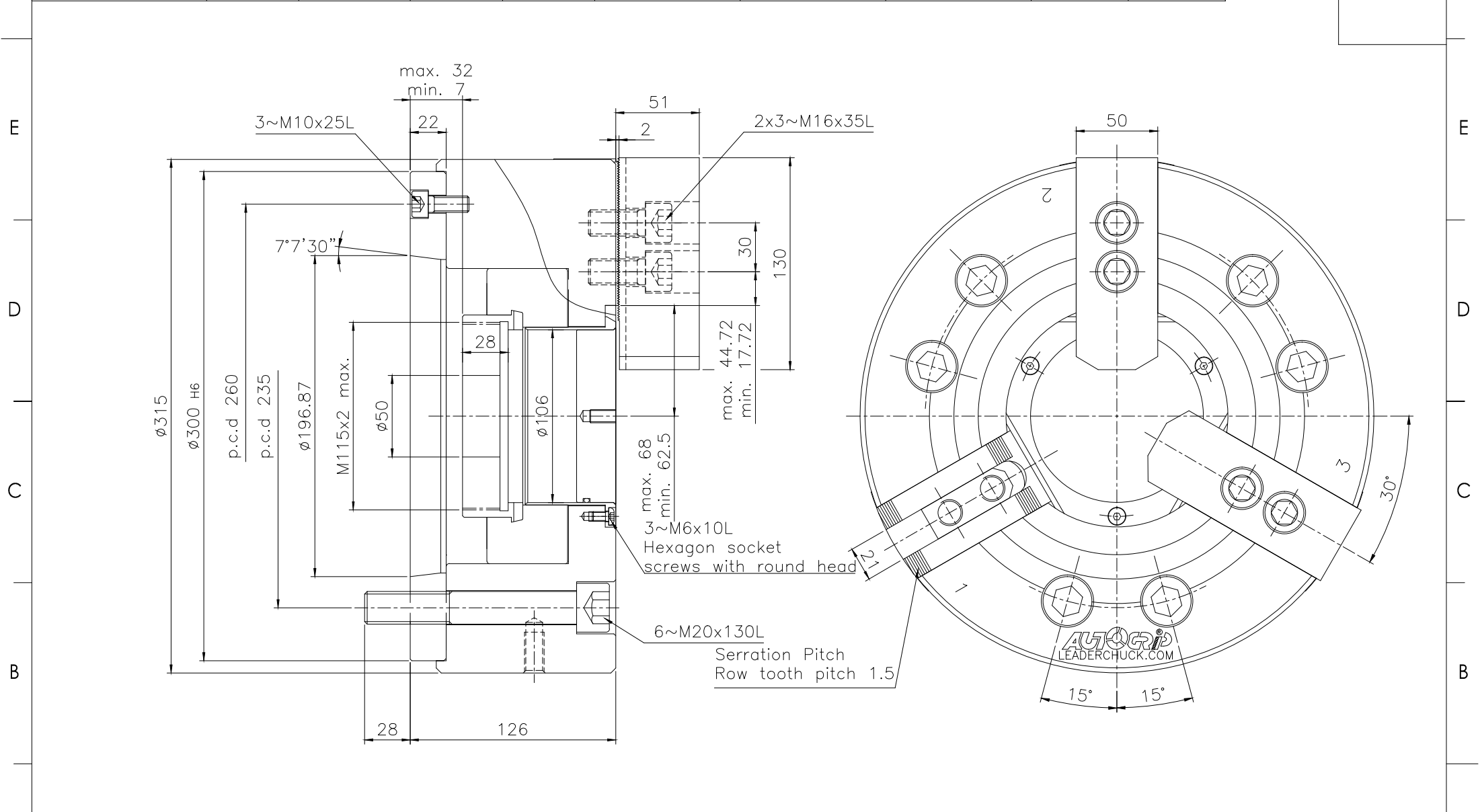



8	7		6		5	4	3	2	1	
	Spec.	mm	mm	Chucking Dia. mm		kgf	kgf	r.p.m.	l	kg
Model	Plunger Stroke	Jaw Stroke (Dia.)	Max.	min.	Max D.B. pull	Max clamping force	Max speed	kg m ²	Weight	Confirmed
3H-212A11	25	10.6	315	43	6000	16010	3700	0.86	64.7	



<p>LEADER CHUCK INTERNATIONAL +44 (0) 1827 700000 +353 (0)1 254 2555 INFORMATION@LEADERCHUCK.COM LEADERCHUCK.COM</p>	<p>TITLE: Large aperture three-jaw power chuck</p>	<p>DRAWING NO.: A3\AG-3H-212A11</p>	
--	--	---	---