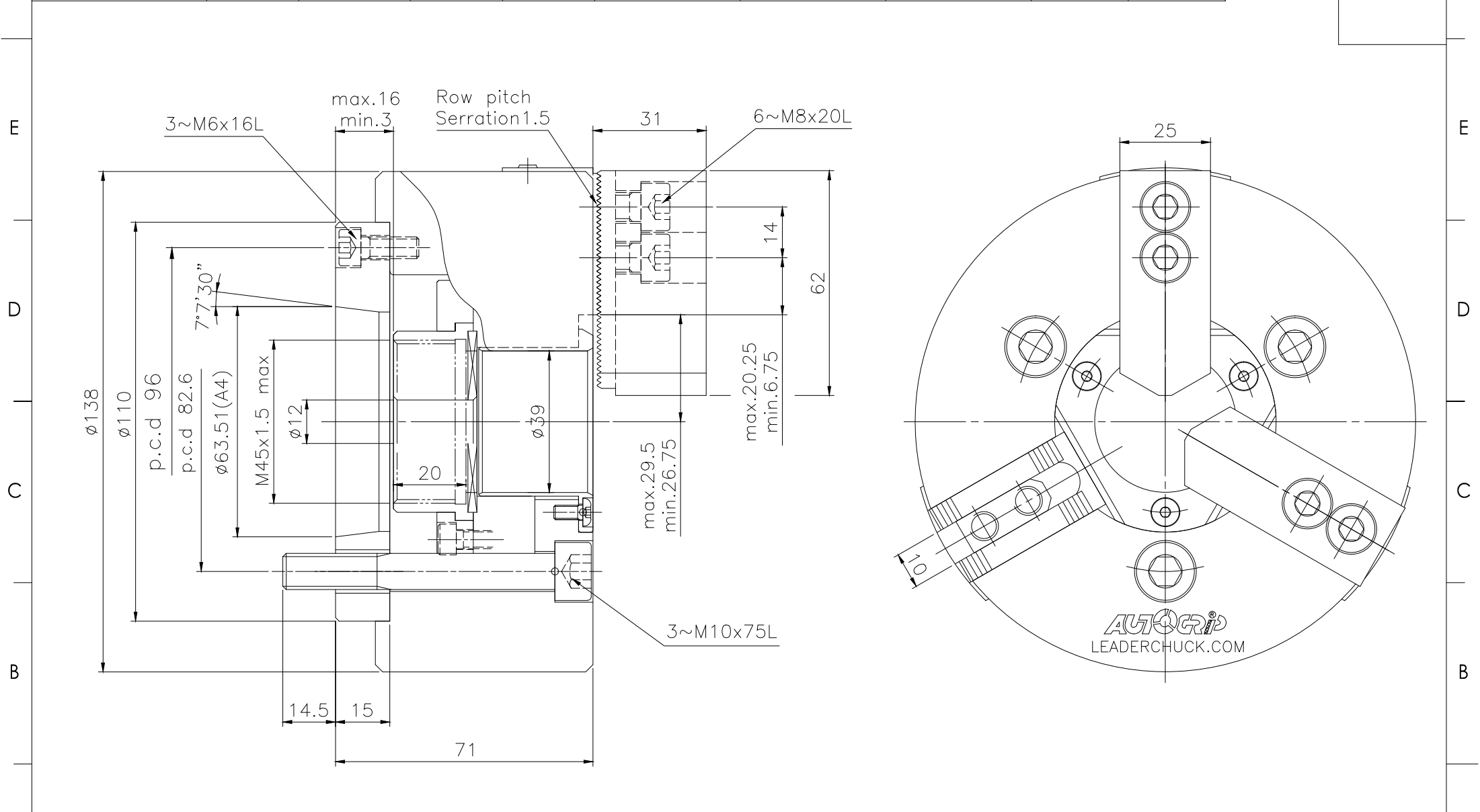



8	7		6		5	4	3	2	1	
	Spec.	mm	mm	Chucking Dia. mm		kgf	kgf	r.p.m.	GD ²	kg
Model	Plunger Stroke	Jaw Stroke (Dia.)	Max.	min.	Max D.B. pull	Max clamping force	Max speed	kg m ²	Weight	Confirmed
3H-205A4	13	5.5	138	10	1750	4890	7000	0.02	7.1	



LEADER CHUCK INTERNATIONAL +44 (0) 1827 700000 +353 (0)1 254 2555 INFORMATION@LEADERCHUCK.COM LEADERCHUCK.COM	TITLE: Hollow three-jaw chuck	DRAWING NO.: A3\AG-3H-205A4	
---	----------------------------------	--------------------------------	---