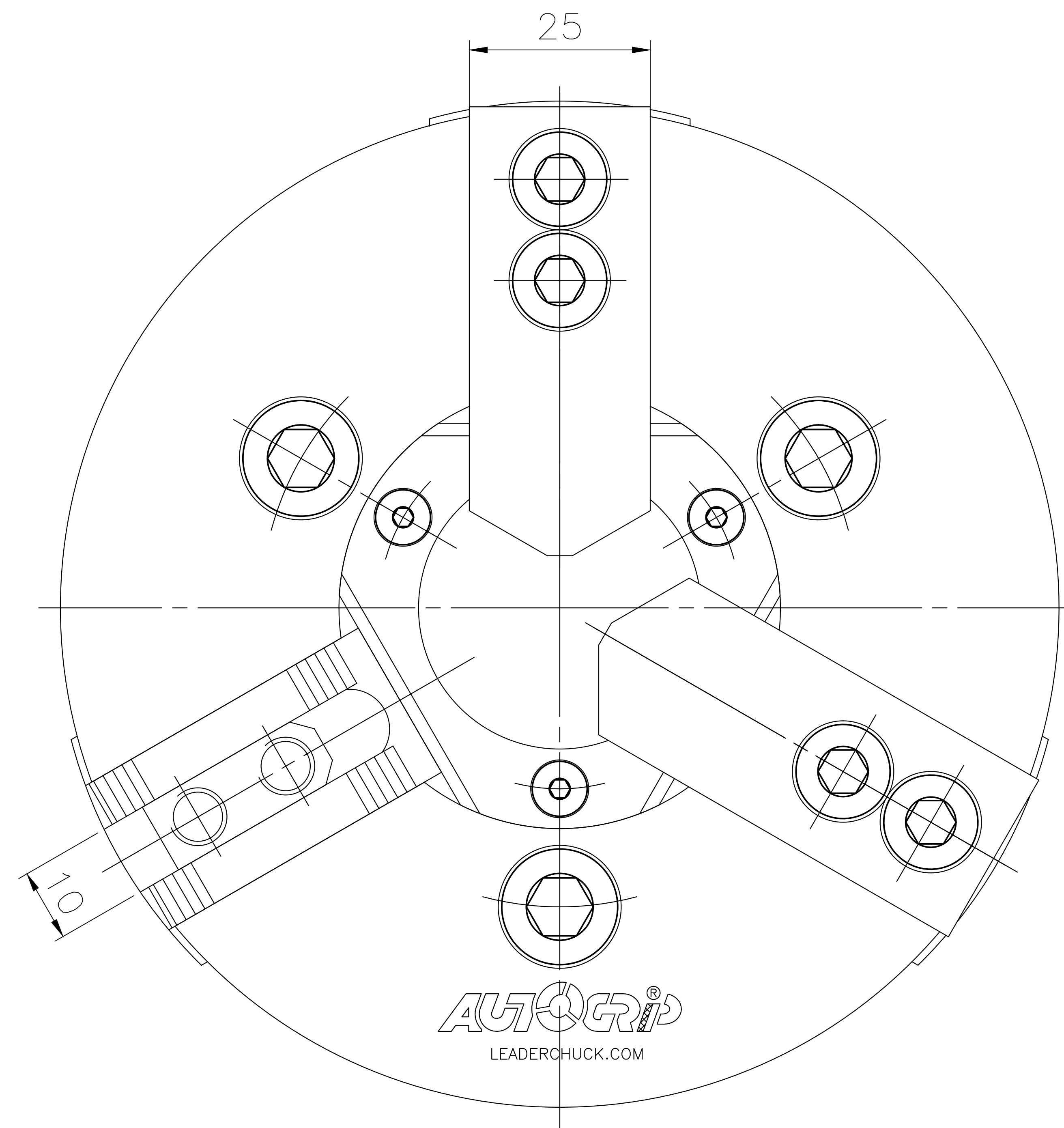
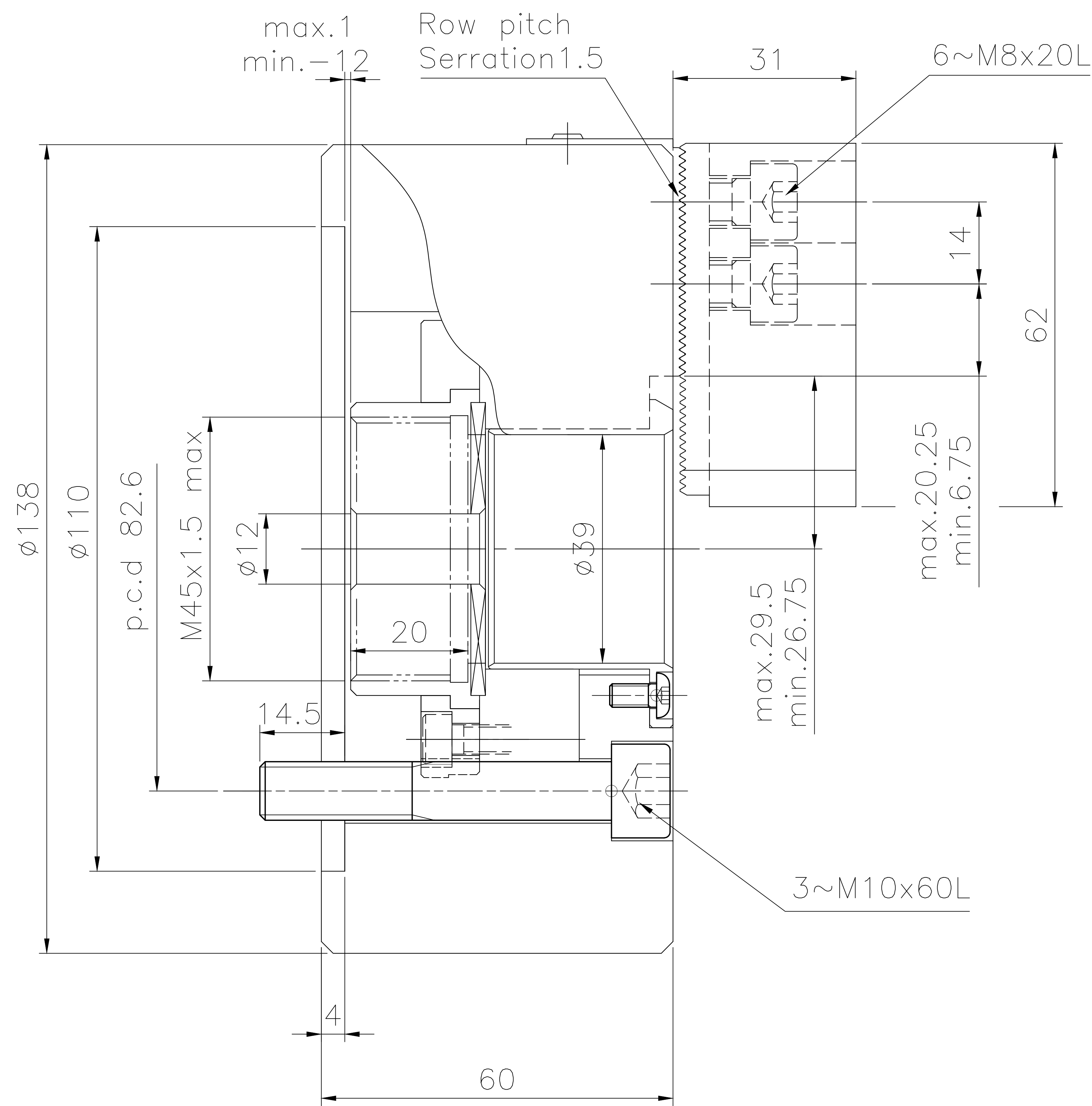


	6	5		4		3		2		1	
	Spec.	mm	mm	Chucking Dia. mm		kgf	kgf	r.p.m.	l	kg	Confirmed
	Model	Plunger Stroke	Jaw Stroke (Dia.)	Max.	min.	Max D.B. pull	Max clamping force	Max speed	kg m ²	Weight	
D	3H-205	13	5.5	138	10	1750	4890	7000	0.02	6.3	D



LEADER CHUCK INTERNATIONAL
+44 (0) 1827 700000
+353 (0)1 254 2555
INFORMATION@LEADERCHUCK.COM

TITLE:
Hollow three-jaw chuck

DRAWING NO.:
A3\AG-3H205

