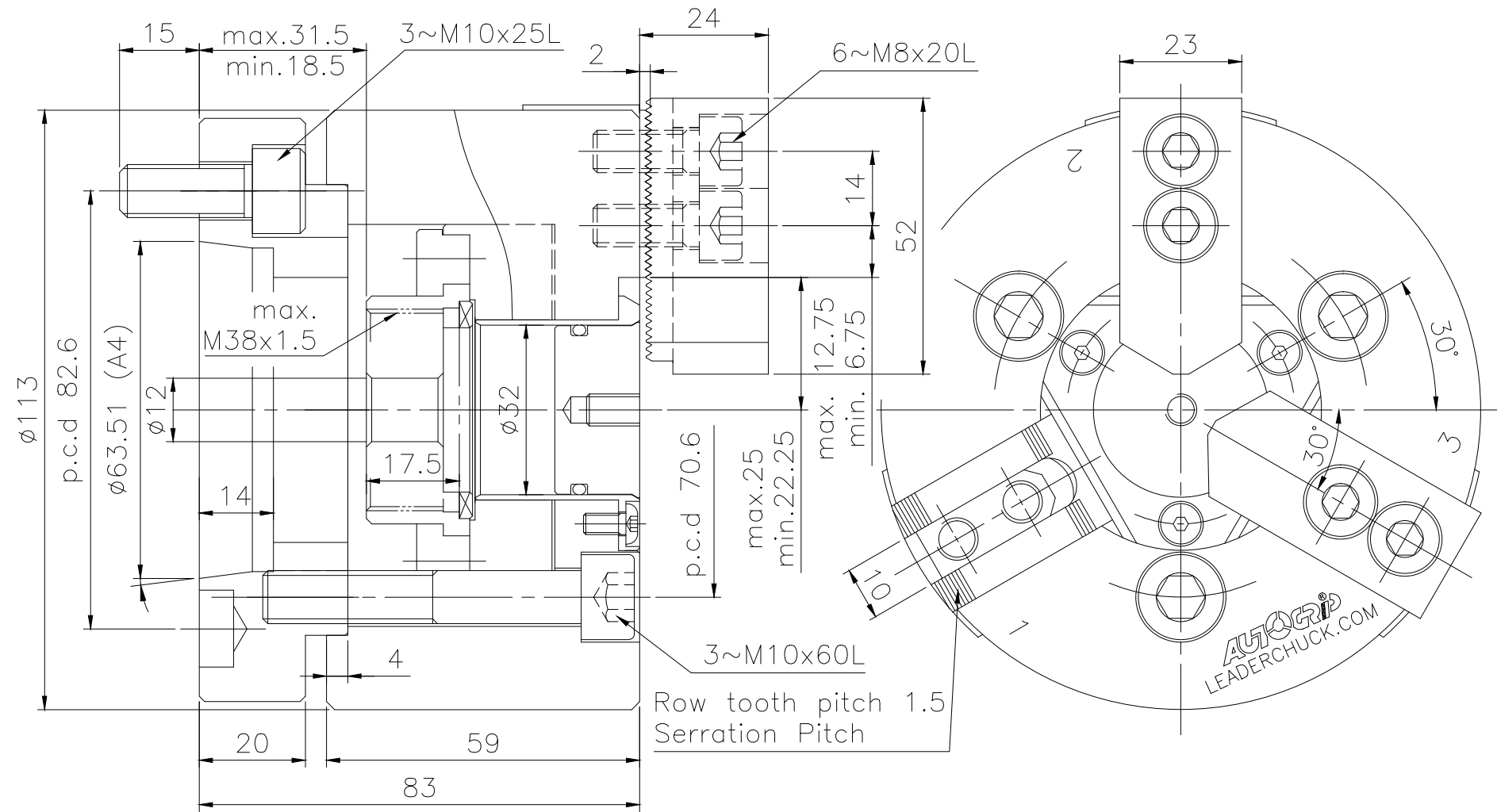


6	5		4		3		2		1	
Spec.	mm	mm	Chucking Dia. mm		kgf	kgf	r.p.m.	l	kg	Confirmed
Model	Plunger Stroke	Jaw Stroke (Dia.)	Max.	min.	Max D.B. pull	Max clamping force	Max speed	kg m <sup>2</sup>	Weight	
3H-204A4	13	5.5	113	7	1400	3020	8000	0.012	5.34	



LEADER CHUCK INTERNATIONAL  
+44 (0) 1827 700000  
+353 (0)1 254 2555  
INFORMATION@LEADERCHUCK.COM  
LEADERCHUCK.COM

TITLE:  
Extra big thru-hole  
3-jaw power chuck

DRAWING NO.:  
A4 \ AG-3H-204A4



6	5	4	3	2	1
---	---	---	---	---	---