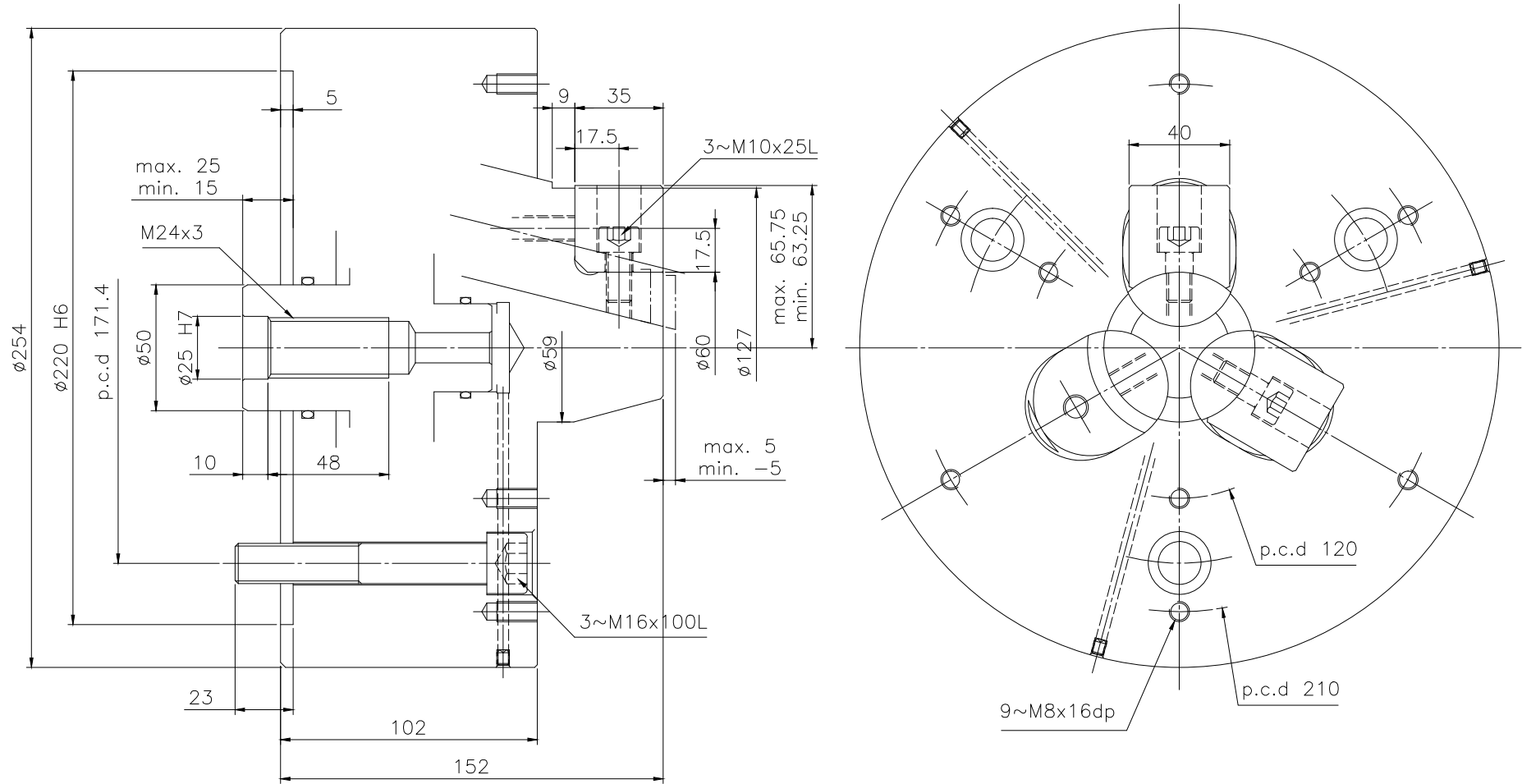


	6	5		4		3		2		1	
	Spec.	mm	mm	Chuck Dia. mm		Allowable hydraulic cylinder thrust kgf	Maximum clamping force kgf	Maximum number of revolutions r.p.m.	GD ²	kg	Confirmed
	Model	Plunger Stroke	Jaw Stroke (Dia.)	Max.	min.	Max D.B. pull	Max clamping force	Max speed	kg·m ²	Weight	
D	3E-10	10	5	190	60	3570	10200	3600	0.31	39.5	D



LEADER CHUCK INTERNATIONAL
+44 (0) 1827 700000
+353 (0)1 254 2555
INFORMATION@LEADERCHUCK.COM
LEADERCHUCK.COM

TITLE:

Expansible Pull
Lock Chuck

DRAWING NO.:

A4\AG-3E-10



	6	5		4		3		2		1	
--	---	---	--	---	--	---	--	---	--	---	--