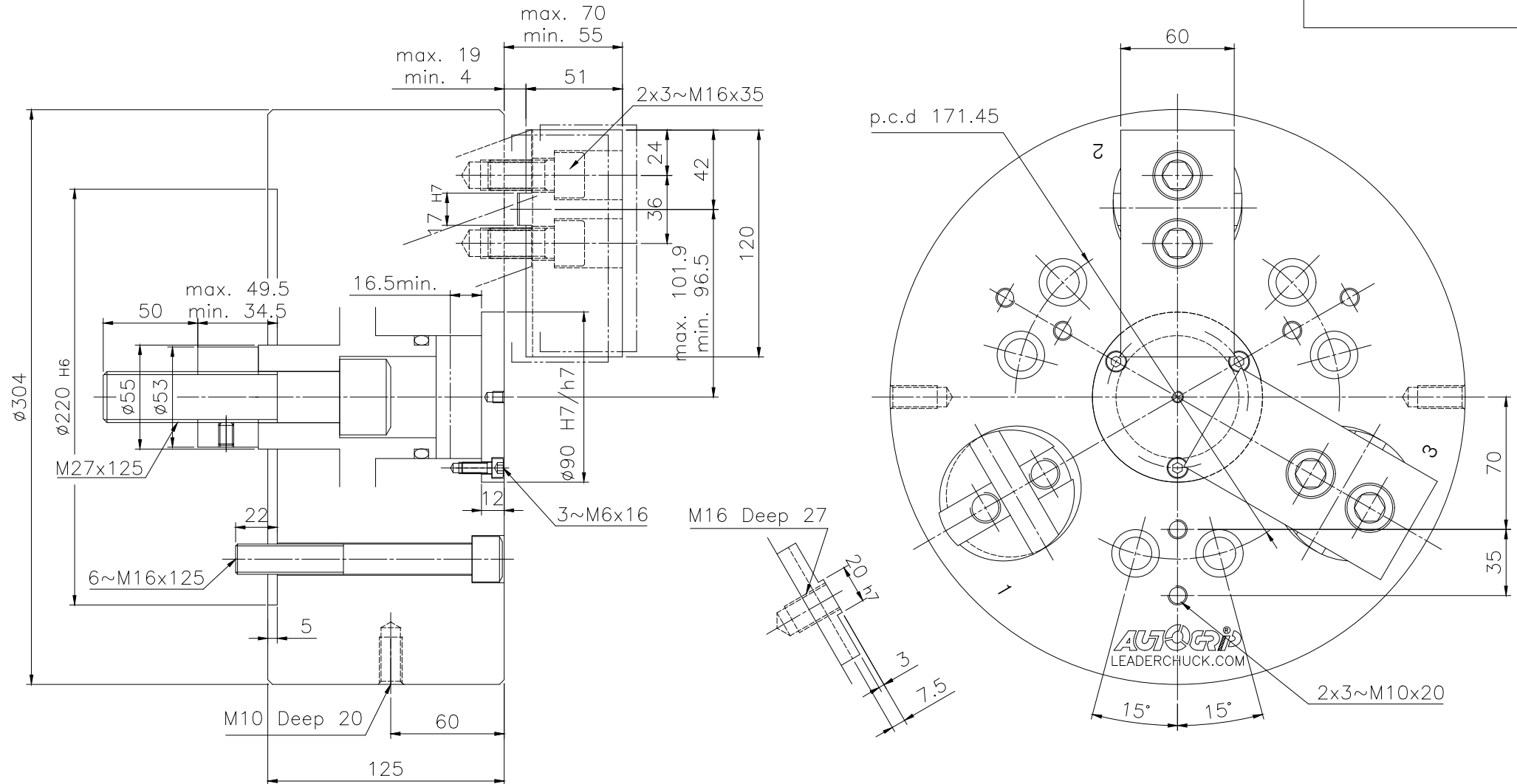


Spec.	7		6		5		4		3		2		1	
	mm	mm	Chuck Dia. mm		kgf	kgf	r.p.m.	l	kg	Confirmed				
Model	Plunger Stroke	Jaw Stroke (Dia.)	Max.	min.	Max D.B. pull	Max clamping force	Max speed	kg m ²	Weight					
F 3D-12	15	10.8	304	50	4590	7650	2000	0.79	70					



LEADER CHUCK INTERNATIONAL
+44 (0) 1827 700000
+353 (0)1 254 2555
INFORMATION@LEADERCHUCK.COM
LEADERCHUCK.COM

TITLE:
Zhongshi back pull three-jaw chuck

DRAWING NO.:
A3\AG-3D-12



8 7 6 5 4 3 2 1