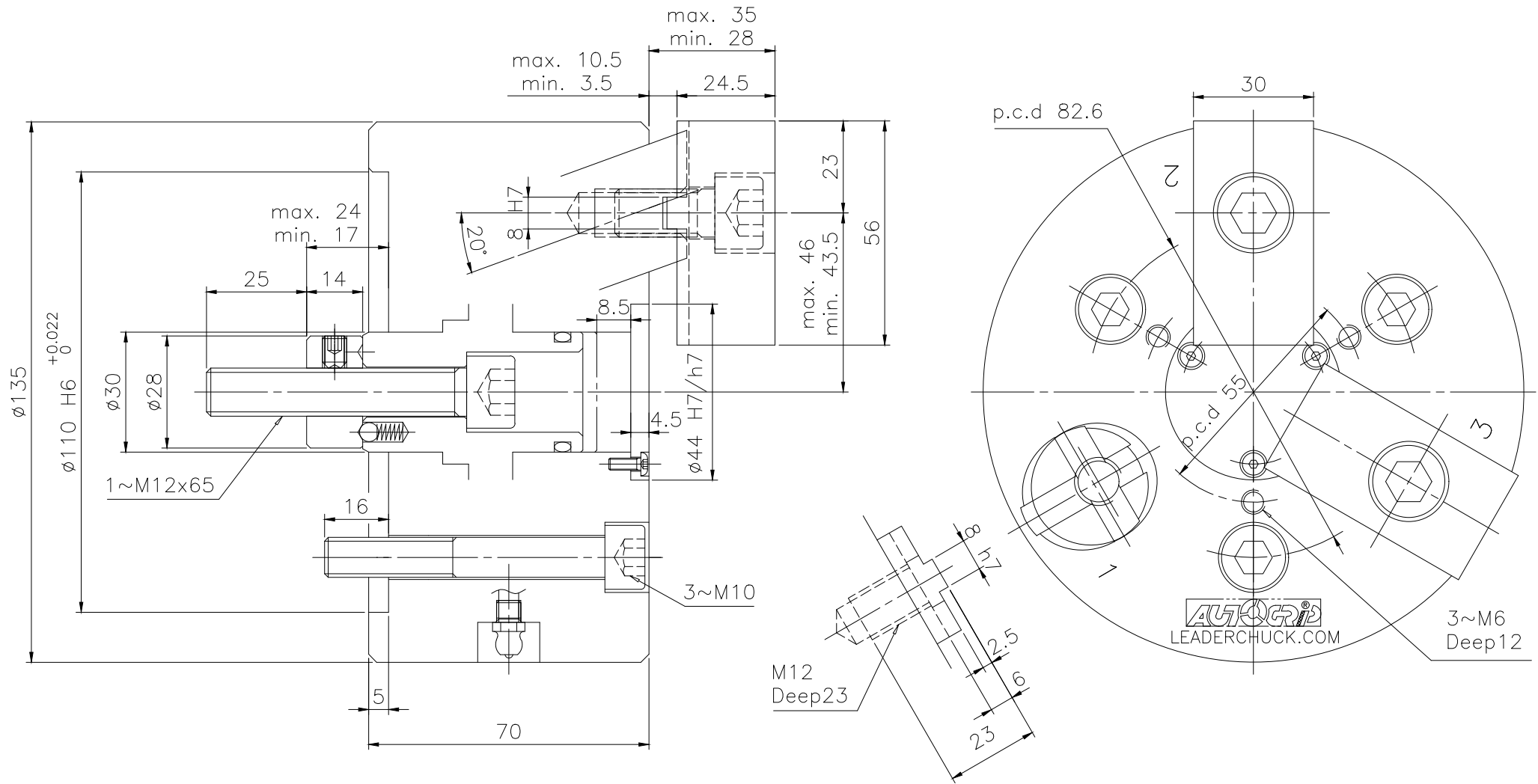


Spec.	7		6		5		4		3		2		1	
	mm	mm	Chucking Dia. mm		kgf	kgf	r.p.m.	l	kg	Confirmed				
Model	Plunger Stroke	Jaw Stroke (Dia.)	Max.	min.	Max D.B. pull	Max clamping force	Max speed	kg m <sup>2</sup>	Weight					
F 3D-05	7	5	135	21	1020	1730	3500	0.081	7.9					



LEADER CHUCK INTERNATIONAL  
+44 (0) 1827 700000  
+353 (0)1 254 2555  
INFORMATION@LEADERCHUCK.COM  
LEADERCHUCK.COM

TITLE:  
Zhongshi back pull three-jaw chuck

DRAWING NO.:  
A3\AG-3D-05



A

A

F  
E  
D  
C  
B  
A

F  
E  
D  
C  
B  
A

8 7 6 5 4 3 2 1