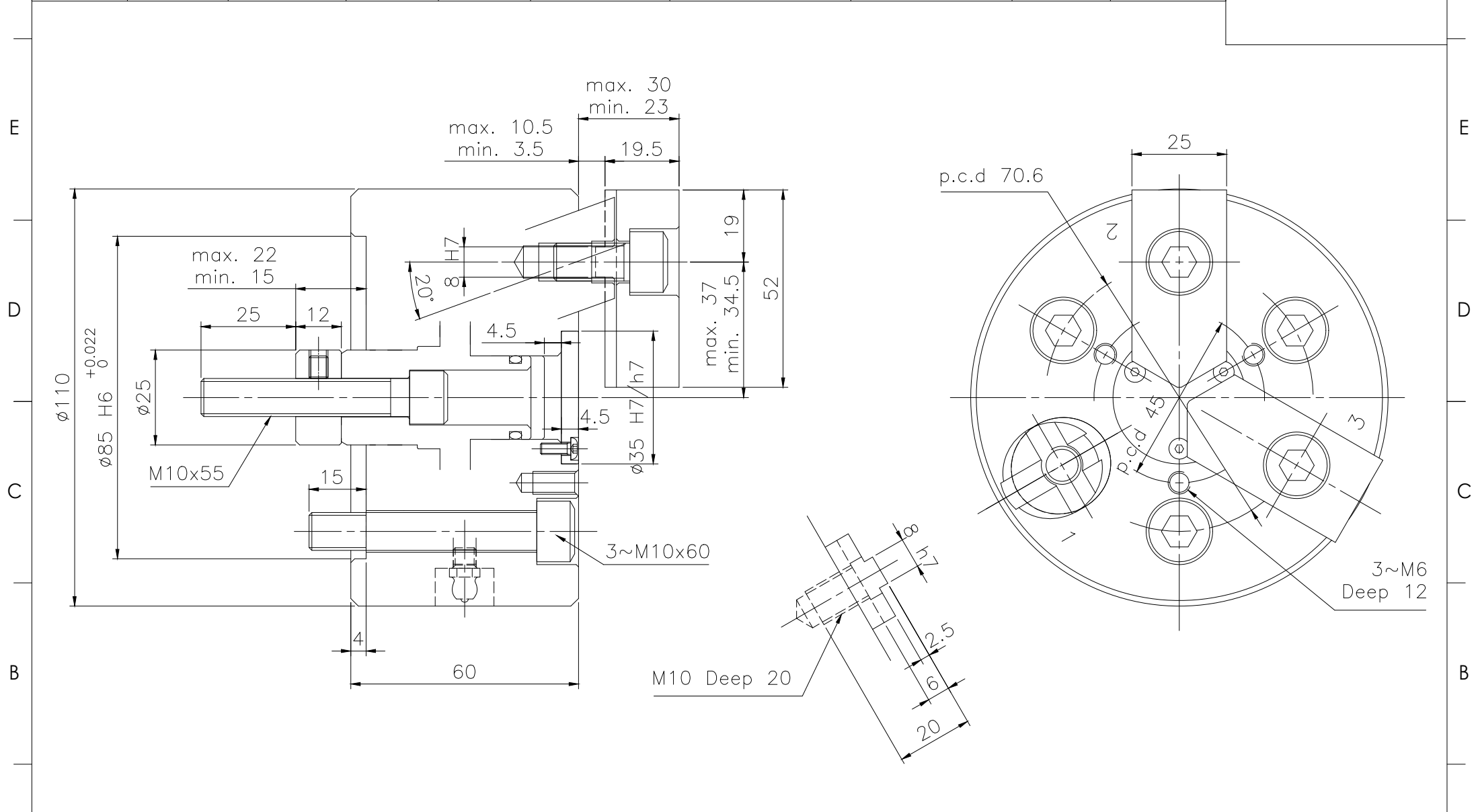


Spec.	mm		Chucking Dia. mm		kgf	kgf	r.p.m.	l	kg	Confirmed
	mm	mm	Max.	min.	Max D.B. pull	Max clamping force	Max speed	kg m ²	Weight	
Model	Plunger Stroke	Jaw Stroke (Dia.)								
3D-04	7	5	110	13	612	1070	3500	0.007	4.5	



LEADER CHUCK INTERNATIONAL
+44 (0) 1827 700000
+353 (0)1 254 2555
INFORMATION@LEADERCHUCK.COM
LEADERCHUCK.COM

TITLE:
Zhongshi back pull three-jaw chuck

DRAWING NO.:
A3\AG-3D-04

