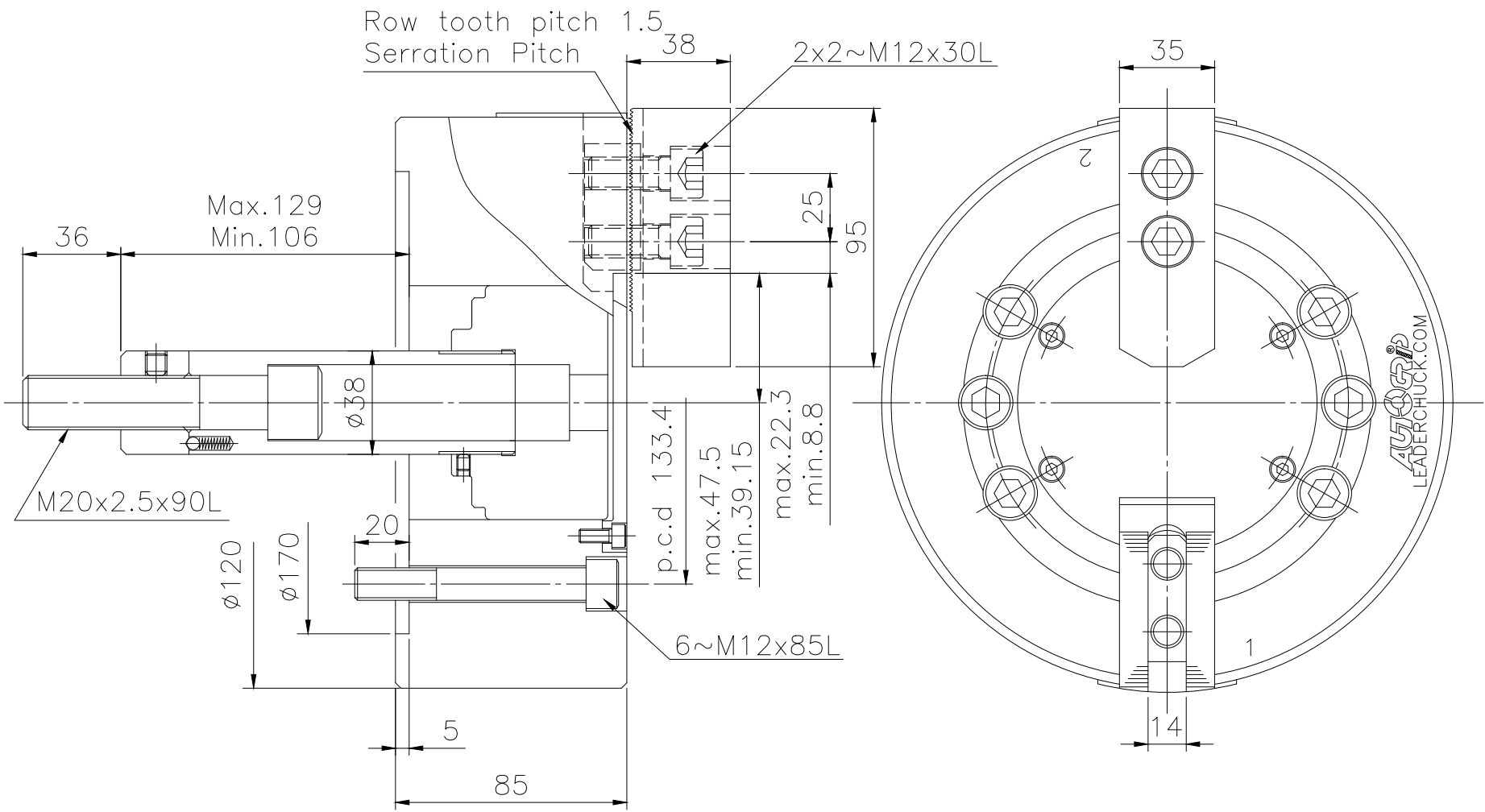


6	5		4		3		2		1	
Spec.	mm	mm	Chucking Dia. mm		kgf	kgf	r.p.m.	GD ²	kg	Confirmed
Model	Plunger Stroke	Jaw Stroke (Dia.)	Max.	min.	Max D.B. pull	Max clamping force	Max speed	kg m ²	Weight	
2M-08	23	16.7	210	17	2000	3730	3500	0.13	23	



LEADER CHUCK INTERNATIONAL
+44 (0) 1827 700000
+353 (0)1 254 2555
INFORMATION@LEADERCHUCK.COM
LEADERCHUCK.COM

TITLE:
Two-jaw medium and long
stroke power chuck

DRAWING NO.:
A4\AG-2M-08



6	5		4		3		2		1	
---	---	--	---	--	---	--	---	--	---	--