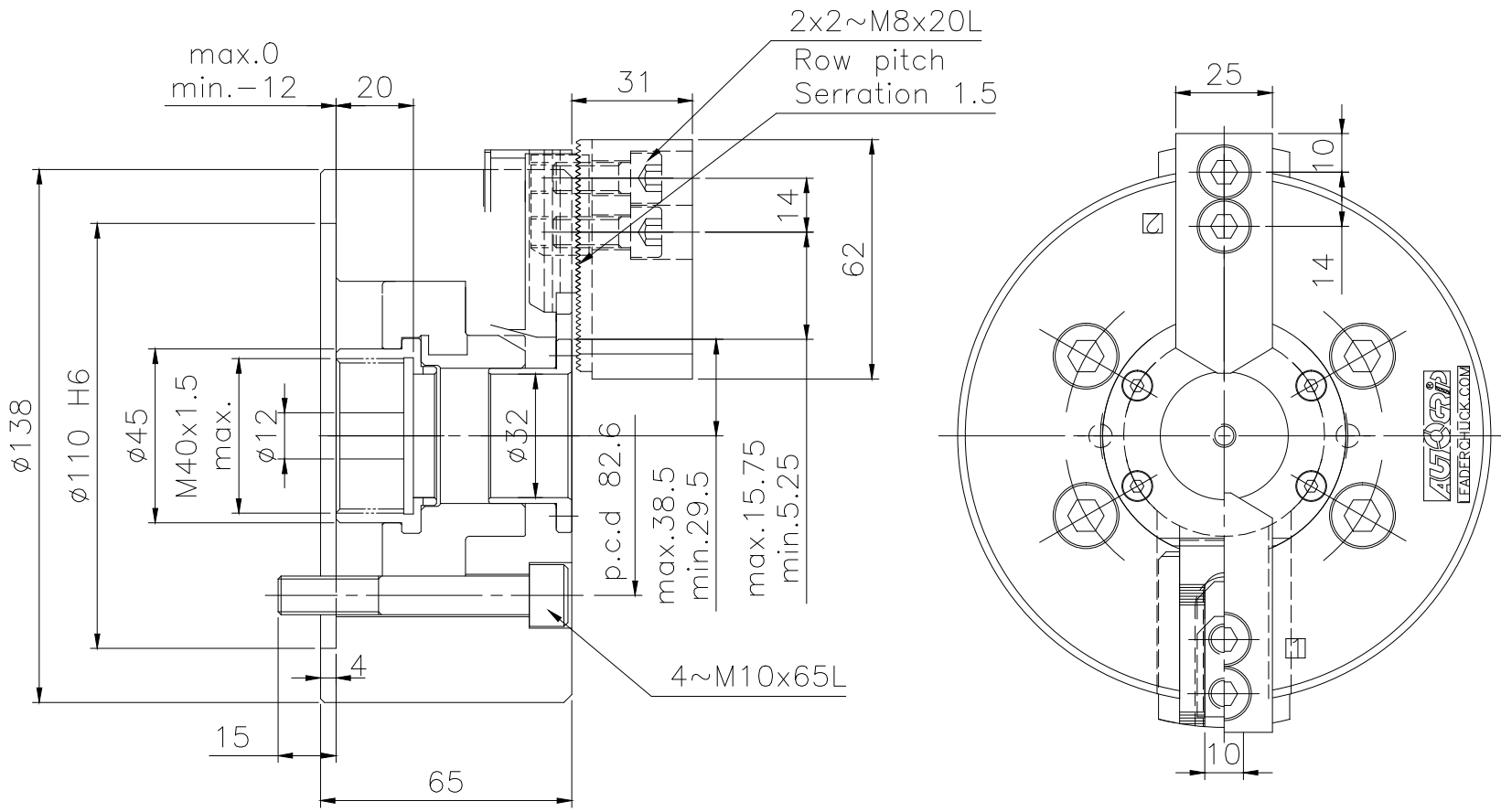


6	5		4		3		2		1	
Spec.	mm	mm	Chucking Dia. mm		kgf	kgf	r.p.m.	l	kg	Confirmed
Model	Plunger Stroke	Jaw Stroke (Dia.)	Max.	min.	Max D.B. pull	Max clamping force	Max speed	kg m ²	Weight	
2L-205	12	18	138	6	1060	1170	4200	0.018	6.9	



LEADER CHUCK INTERNATIONAL
+44 (0) 1827 700000
+353 (0)1 254 2555
INFORMATION@LEADERCHUCK.COM
LEADERCHUCK.COM

TITLE:
Extra Long Jaw Stroke Thru-hole
2-jaw Power Chuck

DRAWING NO.:
A4 \ AG-2L-205



6	5	4	3	2	1
---	---	---	---	---	---