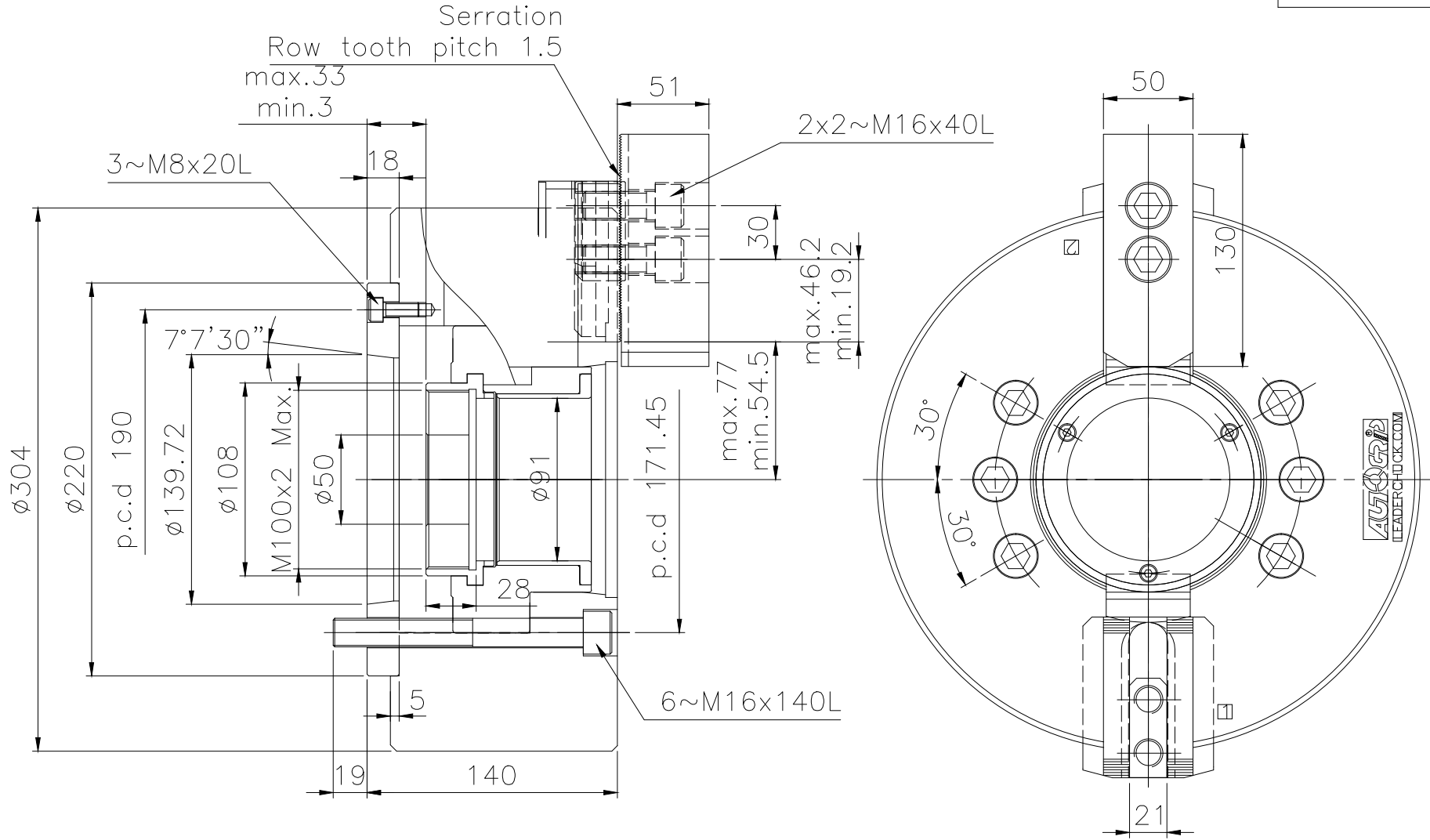


| | | | | | | | | | | |
|---------|----------------|-------------------|---------------|------|---------------|--------------------|-----------|-------------------|--------|-----------|
| 6 | 5 | | 4 | | 3 | | 2 | | 1 | |
| Spec. | mm | mm | Chuck Dia. mm | | kgf | kgf | r.p.m. | l ² | kg | Confirmed |
| Model | Plunger Stroke | Jaw Stroke (Dia.) | Max. | min. | Max D.B. pull | Max clamping force | Max speed | kg m ² | Weight | |
| 2L-12A8 | 30 | 45 | 304 | 30 | 4400 | 5100 | 2100 | 0.874 | 65.5 | |



LEADER CHUCK INTERNATIONAL
+44 (0) 1827 700000
+353 (0)1 254 2555
INFORMATION@LEADERCHUCK.COM
LEADERCHUCK.COM

TITLE:
Extra Long Jaw
Stroke Power Chuck

DRAWING NO.:
A4\AG-2L-12A8



| | | | | | |
|---|---|---|---|---|---|
| 6 | 5 | 4 | 3 | 2 | 1 |
|---|---|---|---|---|---|