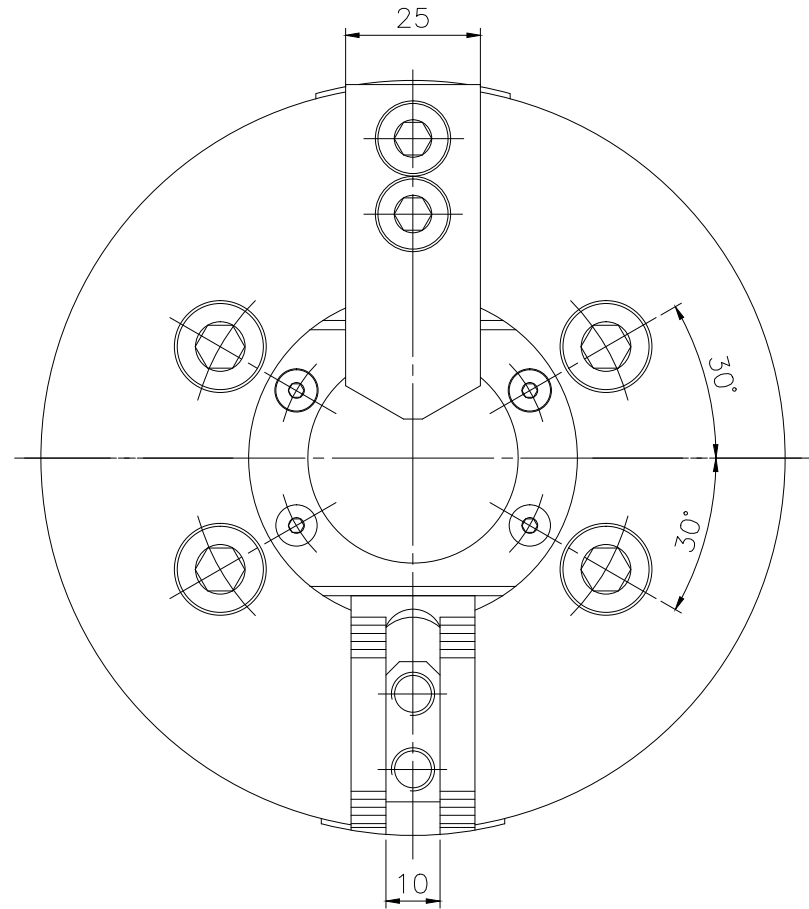
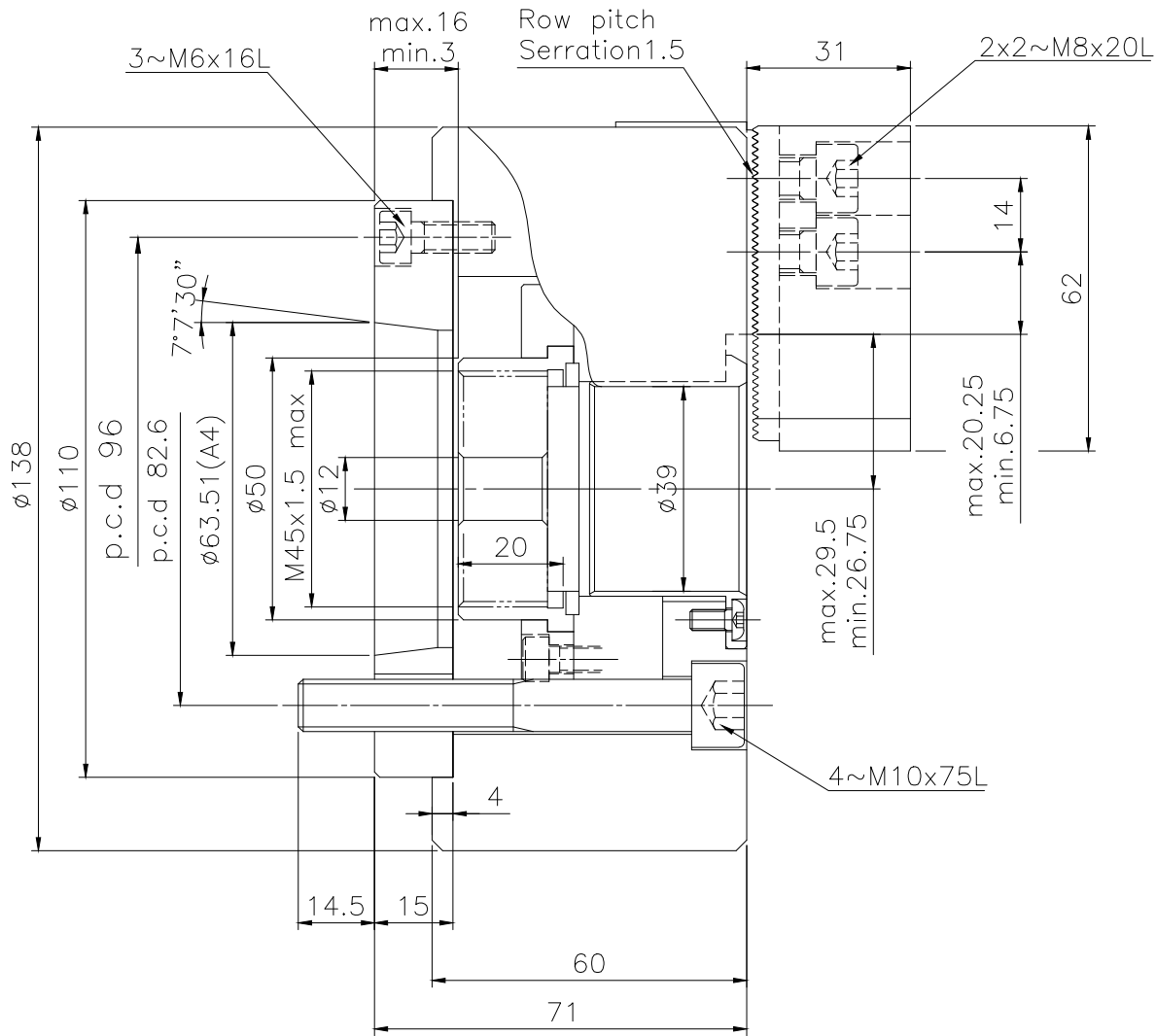


| 8 | 7 | | 6 | | 5 | 4 | 3 | | 2 | 1 |
|----------|----------------|-------------------|------|---------------|---------------|--------------------|-----------|-------------------|-----------------|-----------|
| | Spec. | mm | mm | Chuck Dia. mm | | kgf | kgf | r.p.m. | GD ² | |
| Model | Plunger Stroke | Jaw Stroke (Dia.) | Max. | min. | Max D.B. pull | Max clamping force | Max speed | kg m ² | Weight | Confirmed |
| 2H-205A4 | 13 | 5.5 | 138 | 10 | 1167 | 3260 | 7000 | 0.02 | 7.6 | |



LEADER CHUCK INTERNATIONAL
+44 (0) 1827 700000
+353 (0)1 254 2555
INFORMATION@LEADERCHUCK.COM
LEADERCHUCK.COM

TITLE:
Hollow two-jaw chuck

DRAWING NO.:
A3\AG-2H-205A4

