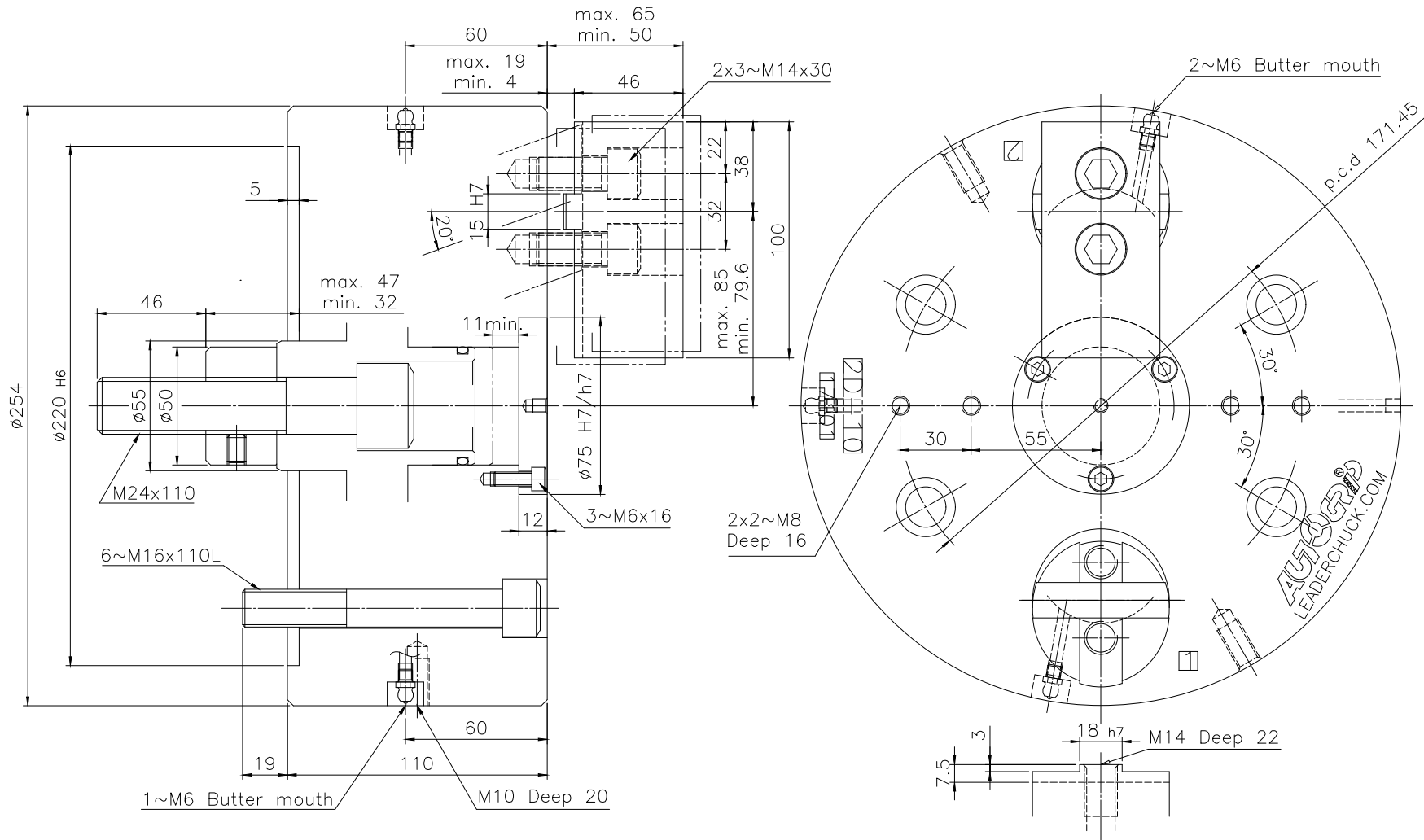


Spec.	7		6		5		4		3		2		1	
	mm	mm	Chuck Dia. mm		kgf	kgf	r.p.m.	l	kg	Confirmed				
Model	Plunger Stroke	Jaw Stroke (Dia.)	Max.	min.	Max D.B. pull	Max clamping force	Max speed	kg m ²	Weight					
2D-10	15	10.8	254	35	2379	4079	2500	0.34	48					



LEADER CHUCK INTERNATIONAL
+44 (0) 1827 700000
+353 (0)1 254 2555
INFORMATION@LEADERCHUCK.COM
LEADERCHUCK.COM

TITLE: Zhongshi back pull
two-jaw chuck

DRAWING NO.:
A3 \ AG-2D-10

