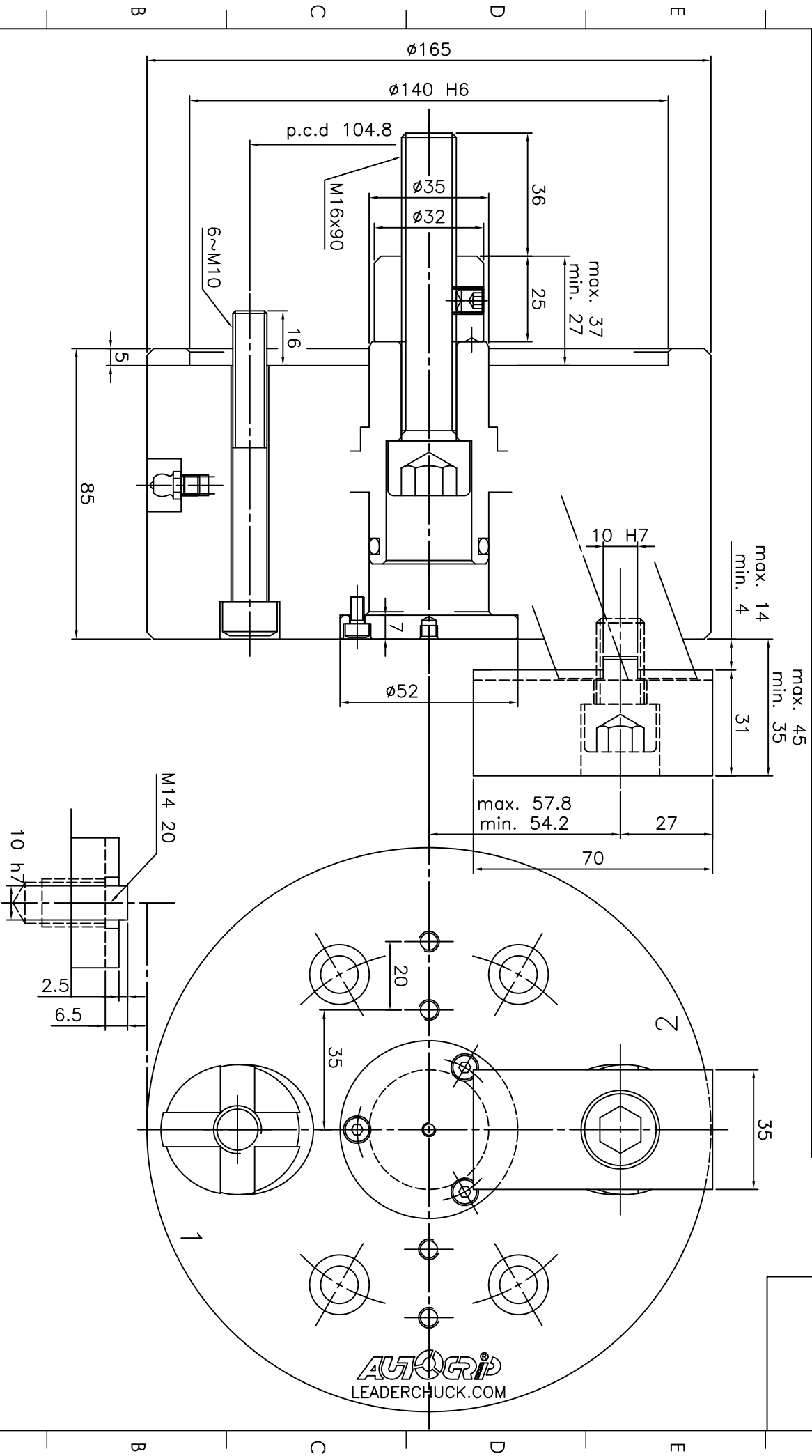


Spec. Model	mm	mm	Chucking Dia. mm		kgf	kgf	r.p.m.	kg · m ²	kg
			Max.	min.					
2D-06	10	7.2	165	22	1020	1700	3500	0.45	12
	Plunger Stroke	Low Stroke (Dia.)			Max D.B. pull	Max clamping force	Max speed		Weight



Confirmed

LEADER CHUCK INTERNATIONAL
+44 (0) 1827 700000
+353 (0)1 254 2555
INFORMATION@LEADERCHUCK.COM
LEADERCHUCK.COM

TITLE:

Zhongshi Back Pull
Two-Jaw Chuck

DRAWING NO.:

A3 \ AG-2D-06

