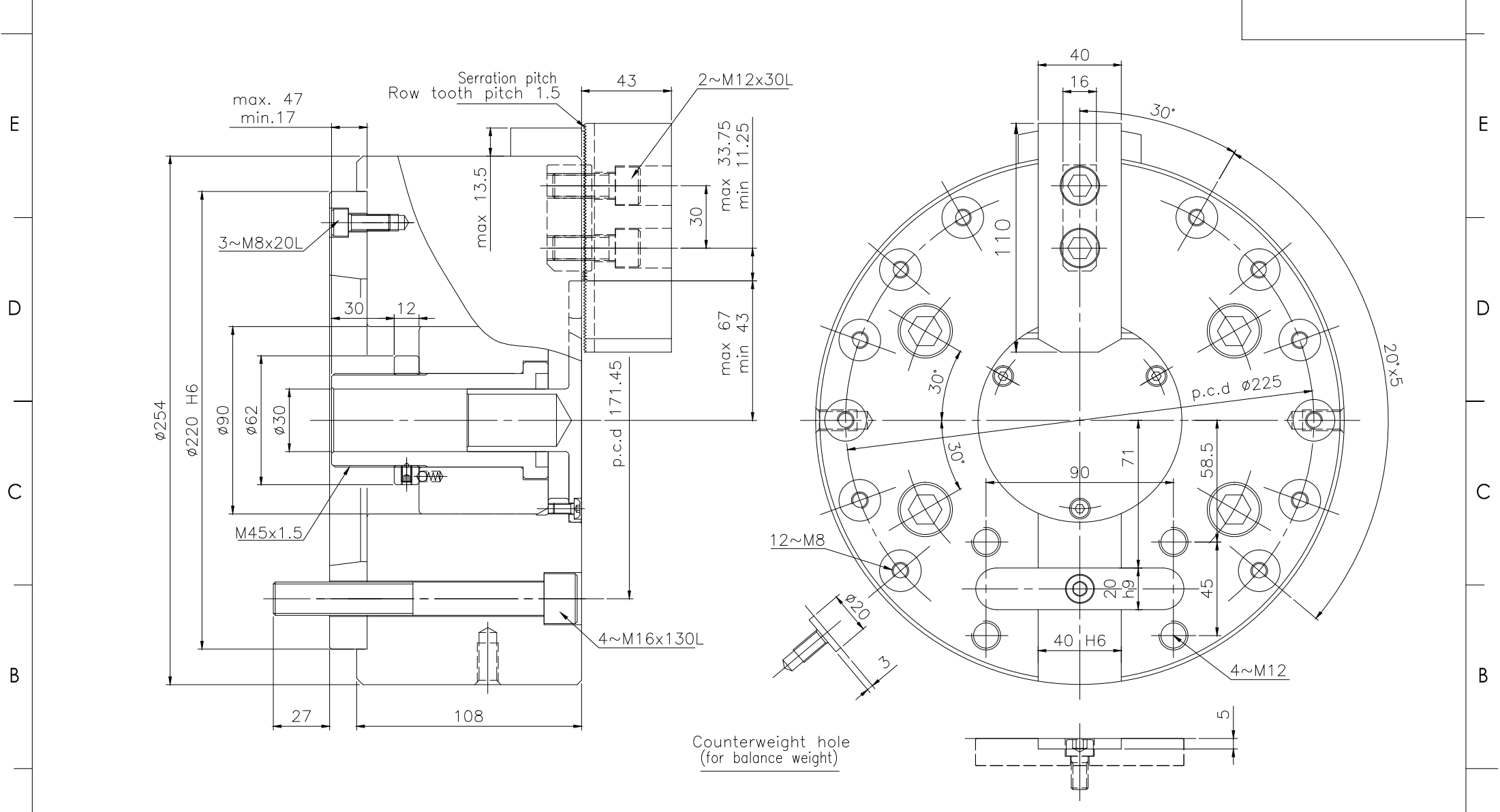


Spec.	7		6		5		4		3		2		1
	mm	mm	Chuck Dia. mm		kgf	kgf	r.p.m.	l	kg	Confirmed			
Model	Plunger Stroke	Jaw Stroke (Dia.)	Max.	min.	Max D.B. pull	Max clamping force	Max speed	kg m ²	Weight				
1L-10A8	30	24	254	17	2200	4950	2400	0.28	44.3				



Counterweight hole
(for balance weight)

LEADER CHUCK INTERNATIONAL
 +44 (0) 1827 700000
 +353 (0)1 254 2555
 INFORMATION@LEADERCHUCK.COM
 LEADERCHUCK.COM

TITLE:

Extra long jaw stroke
single-jaw power chuck

DRAWING NO.:

A3\AG-1L-10A8

